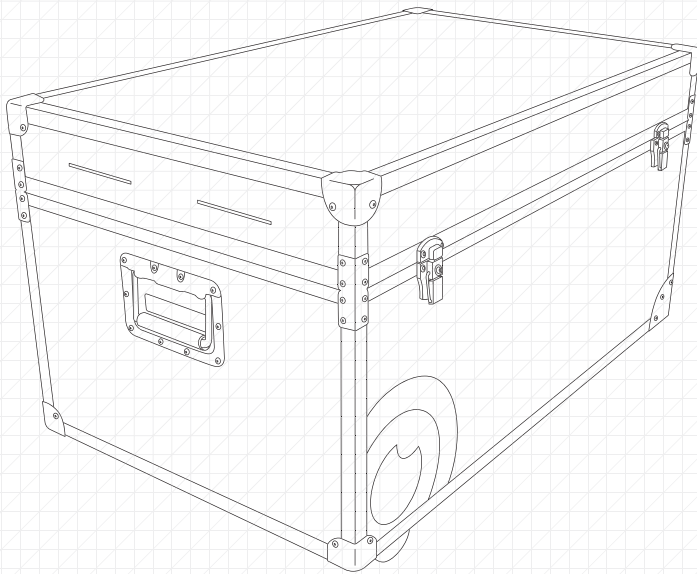


# Safety Instructions

Prowise Universal Storage & Charging Case



**Prowise**

[www.prowise.com](http://www.prowise.com)



## Table of contents

<b>1. About these Instructions</b>	<b>4</b>
1.1. Symbols and keywords used in these instructions	4
1.2. Proper use	4
1.3. EG Declaration of conformity	5
<b>2. Safety Instructions</b>	<b>6</b>
2.1. Important safety instructions	6
2.2. Scope of delivery	8
2.3. Storing and charging personal devices	8
2.4. Setup location	9
2.5. Ambient conditions	10
2.6. Ergonomics	10
2.7. Connecting	10
2.8. Cabling	10
2.9. Maintenance	11
2.10 Moving	11
<b>3. Repair</b>	<b>12</b>
<b>4. Environment</b>	<b>13</b>
4.1 Recycling and disposal	13

# 1. About these instructions

Read the safety Guide carefully before using the Prowise Universal Storage & Charging Case. Follow the warnings stated on the device and in the user instructions. Always keep this safety guide and the user manual within reach.

## 1.1. Symbols and Keywords used in these Instructions



### **HAZARD WARNING!**

Warning for possible (serious) injury.



### **WARNING!**

Warning for electrified parts.



### **CAUTION!**

Follow these instructions to avoid material damage.



### **PLEASE NOTE!**

Information and advice about the use of the device.

## 1.2. Proper use

The Prowise Universal Storage & Charging Case is made for charging, storing and moving personal devices for classrooms, like Chromebooks, Notebooks and tablets. If it is used for purposes other than those described in these safety instructions or the user manual, Prowise B.V. will not bear any responsibility or liability in case of material damage and/or injury. Do not make changes to the device without written consent of Prowise. Improper use will void the warranty.



### 1.3. EG Conformiteitsinformatie

Prowise B.V.  
Luchthavenweg 1b  
6021 PX Budel  
Nederland

Hereby declares entirely on its own responsibility that the product:

**Prowise Universal Storage & Charging Case with product numbers:  
PW.2.32011.0001 / PW.2.32013.0001**

to which this declaration applies, meet the fundamental health and safety requirements of the following European directives:

Low voltage directive 2014/35/EU  
EMC directive 2014/30/EU



## 2. Safety instructions

### 2.1. Important safety instructions



#### **CAUTION!**

##### **Follow the safety instructions below:**

Prowise B.V. is not liable for injury, damage and/or excessive wear due to incorrect use or maintenance of, or modifications to, the device.

Only use components and accessories supplied by Prowise.

Repairs by third parties are not permitted.

Do not use the device in extreme weather conditions.



#### **WARNING!**

##### **Warning for electrified parts**

Never open the housing of the power supply! This can lead to an electrical shock, short circuit or even start a fire, which can cause injuries or damage to the storage & charging case.

Do not insert any objects into the openings of the power supply.

This can lead to short circuit or even cause a fire.

Do not connect the storage & charging case to the mains during a thunderstorm to prevent damage due to a lightning strike.

Make sure the storage & charging case does not get wet! This could lead to short circuiting and electrocution hazard. Do not place the device close to water and do not place objects containing liquid on or next to it.

The plugs must never come into contact with water. In case this does happen, unplug the device immediately. The plugs must be completely dry before you can use the device again.

Never touch the plugs with wet hands.

Make sure to not overload the electrical outlet, for example, by using a multi-outlet adapter. Overloading can result in short circuiting.

Unplug the storage & charging case immediately from the electrical outlet, and contact our service desk if:

The power cable or plug is damaged. Only replace

defective connection cables with original parts. Never repair damaged cables and plugs yourself; replace them. Liquids have penetrated in the device.

The device emits unusual noises or odours. This could be the result of an internal short circuit.



## HAZARD WARNING!

### Warning for possible (serious) injury

Do not stand on the storage & charging case. This especially applies to children! Standing on the case increases the risk of falling which can cause serious injury.

Ensure the power cable does not lie across the walkway to avoid the risk of tripping.

Never let children climb on, sit on or hang from the storage & charging case. This can cause the storage & charging case to fall over which can result in serious injury.



## CAUTION!

Always place the storage & charging case close to an electrical outlet. The electrical outlet must remain readily accessible while using the touchscreen.

Only connect the touchscreen to a grounded electrical outlet.

To avoid damage to the device, only use the supplied power cable.

Do not use the storage & charging case outside.

Do not cover the openings of the storage & charging case.

These openings provide necessary ventilation. The storage & charging case and the stored personal devices can overheat if the ventilation holes get covered.

Although the Prowise universal storage & charging case is designed to offer perfect protection to personal devices, we discourage to expose the device to falling, heavy vibrations and/or strong impact. This can damage the storage & charging case and possibly the inside devices as well.

Do not scratch the storage & charging case with sharp or hard objects.

## 2.2. Scope of delivery

Please check that the delivery is complete and contact our service desk in writing within five (5) days in case the delivery is incomplete. Provide the serial number and a copy of the invoice in this notice.

You have received the following items in the box delivered:

- Prowise Universal Storage & Charging Case
- User manual
- Safety guide
- Power cable
- Keys (2 pieces)
- Screws (4 pieces)
- Foam inlay (4 pieces)
- Cover plate



### **HAZARD WARNING!**

Keep the packaging material, such as plastic film, away from children. Improper use of packaging material can result in a suffocation hazard.

## 2.3. Storing and charging personal devices



### **CAUTION!**

Make sure the foam inlays are placed back in the right position in the storage & charging case. Pay attention to the grooves for the foam inlays on the inside of the storage & charging case. When the foam inlays are not placed in the opposite grooves, damage to the stored personal devices can occur.

The Prowise Universal Storage & Charging Case is specially designed for the storing, charging and moving of Chromebooks, Notebooks and tablets. To ensure the storage & charging case is compatible with a wide range of personal devices, they are equipped with adjustable foam inlays. Pay attention to the following instructions regarding the storing and charging of personal devices:

Make sure the cover plate of the charging stations is attached properly when

using the storage & charging case.

Ensure the power cables of the personal devices are guided through the openings of the cover plate. These cables can get damaged when they are wedged in between the cover plate and the storage & charging case.

Only use the storage & charging case for storing, charging and moving personal devices for education, like Chromebooks, Notebooks and tablets. Do not connect other devices to the storage & charging device.

Do not use damaged power cables or adapters to charge personal devices.

Inspect all cables for damage on a regular basis to avoid short circuiting.

Make sure all cables are connected properly and the correct power adapter is used.

Only use the power cables which are supplied together with the personal device.

Only connect personal devices which comply to the safety regulations of your country.

Make sure the total electrical load does not exceed 1000 Watt.

Do not pull on the cables of the power adapters to remove them from the charging stations.

Do not use excessive force to plug the power adapters into the charging stations.

## 2.4 Setup location

Place the storage & charging case on a stable surface.

Only connect the storage & charging case to a grounded electrical socket.

Avoid unclean environments.

Do not place the storage & charging case close to devices that generate heat.

Do not place and use this device close to objects containing liquid.

Make sure all ventilation openings remain uncovered so warm air can escape.

## 2.5. Ambient conditions

The storage & charging case can be used at an ambient temperature of 5°C to +30°C (41°F to 86°F) and a relative humidity from 20% to 80% (without condensation).

When switched off, the storage & charging case can be stored at an ambient temperature between 0°C and 60°C (32°F to 140°F).

Unplug the storage & charging case during thunderstorms. We advice to use an overvoltage protection device to protect the storage & charging case and it stored devices against damage due to voltage peaks or a lightning strike to the electrical mains supply.

## 2.6. Ergonomics

The Prowise Universal Storage & Charging case can be moved as a trolley. Keep in mind a filled storage & charging case is heavy. Do not lift the storage & charging case alone to avoid physical complaints. Always lift the storage & charging case with at least two people and use the handles on the side of the case.

The storage & charging is equipped with damped hinges. This makes sure the lid closes slowly, protecting your fingers.

## 2.7. Connecting

Follow the instructions below to connect the storage & charging case safely:

### 2.7.1. Power supply



#### **WARNING!**

Do not use a damaged power cable or power plug. Replace defective cables only with original cables. Never repair damaged cables and plugs yourself.

The Prowise Universal Storage & Charging case must be installed close to an electrical outlet and the electrical outlet must be easily accessible.

Switch the power supply off by removing the power cable from the electrical outlet.

Only plug the power cable into grounded electrical outlets with AC 100-240V ~ 50-60 Hz. Contact your energy company if you are unsure about the power supply of your location.

Only use the power cable supplied.

We advise you to use an overvoltage protection device to protect the storage & charging case and its stored devices against damage due to voltage peaks or a lightning strike to the electrical mains supply.

## 2.8. Cabling

Make sure cables are not placed in a walkway to avoid anyone from stepping on or tripping over them.

Do not place any objects on the cables to avoid damaging them.

Do not replace the cables supplied with other cables. Only use the cables supplied

by Prowise.

Only use the cables which are supplied together with the personal devices to charge them.

Make sure all power cables are connected to the corresponding personal devices to prevent electrical interference.

## 2.9. Maintenance



### CAUTION!

The electrical components not have any internal components which need to be cleaned or maintained. To avoid damage, the connection points must not come into contact with water. If this does occur, the connection points must be completely dry before the device may be used again.

Unplug the power cable before cleaning.

Only clean the inside of the storage & charging case with a soft, dry, lint-free cloth.

Do not use aggressive chemical cleaning agents to clean the outside of the storage & charging case.

Apply the cleaning agent to a cloth first. Never apply the cleaning agent directly onto the storage & charging case. Make sure no liquids penetrate the storage & charging case and do not spray any cleaning agents into the ventilations openings.

## 2.10. Moving the Prowise Universal Storage & Charging case



### HAZARD WARNING!

Never let children move the storage & charging case and make sure children are not standing around the case while it is being moved. In the event the storage & charging case would fall, there is a risk of serious injury.

Follow the instructions below for moving the Prowise Universal Storage & Charging case:

Close the lid of the storage & charging case and make sure it is closed properly.

Remove the power cable from the mains socket and from the storage & charging case to make sure the power cable doesn't drag over the floor or lies in the walkway of the storage & charging case.

Make sure no objects are placed on the storage & charging case.

Only move the storage & charging case over an even and stable surface.

Grasp the storage & charging case by the handle on the side to move the case as a trolley.

Always lift the storage & charging case with two people and use the handles on the side.

Make sure the storage & charging case does not collide against any objects. This can cause damage to the storage & charging case and the environment.

### 3. Repair



**WARNING!**

Never try to repair the Prowise Universal Storage & Charging case yourself. This can cause electrocution hazard and/or short circuiting.

Always contact the Prowise service desk or a certified partner if there are defects to the Prowise Universal Storage & Charging case.

Never try to repair, disassemble or open the housing of the electrical components yourself.

Opening of the housing of the electrical components may only be done by certified Prowise service technicians.

The warranty of the Prowise Universal Storage & Charging Case will be void if unauthorised modifications or repairs are made to the screen, unless otherwise stated.



## 4. Environment

Unplug the power cable if the storage & charging cart will not be used for an extended period.

When the Prowise Universal Storage & Charging Case is no longer usable, it can be disposed of at a designated collection point.

### 4.1. Recycling and disposal

If you have any questions about correct disposal, please contact Prowise or a certified Prowise partner.



#### **PACKAGING**

The packaging of the device is necessary to prevent damaging during transport. Packaging consist of resources that can be reused or recycled.



#### **PRODUCT**

Do not dispose of the device with your household waste at the end of its lifespan. Ask about the possibilities for an environmentally friendly and responsible method of disposal.



## Inhoudsopgave

<b>1. Over deze veiligheidsvoorschriften</b>	<b>16</b>
1.1. In deze veiligheidsvoorschriften gebruikte waarschuwingspictogrammen en -symbolen	16
1.2. Beoogd gebruik	16
1.3. EG Conformiteitsverklaring	17
<b>2. Veilig gebruik</b>	<b>18</b>
2.1. Belangrijke veiligheidsinstructies	18
2.2. Leveringsomvang	20
2.3. Plaatsing	20
2.4. Omgevingsomstandigheden	22
2.5. Ergonomie	22
2.6. Aansluiten	22
2.7. Voeding	22
2.8. Kabels	23
2.9. Onderhoud	23
2.10. Verplaatsen	24
<b>3. Reparatie</b>	<b>24</b>
<b>4. Milieu</b>	<b>25</b>
4.1. Recycling en afvoer	25

# 1. Over deze veiligheidsvoorschriften

Lees de veiligheidsvoorschriften zorgvuldig door voordat de oplaadkoffer in gebruik wordt genomen. Volg de waarschuwingen op die op het product en in de gebruiksaanwijzing vermeld staan. Bewaar deze veiligheidsvoorschriften en de handleiding altijd binnen handbereik.

## 1.1. In deze veiligheidsvoorschriften gebruikte waarschuwingspictogrammen en -symbolen



### **WAARSCHUWING VOOR GEVAAR!**

Waarschuwing voor mogelijk (ernstig) letsel.



### **WAARSCHUWING!**

Waarschuwing voor delen onder elektrische spanning.



### **LET OP!**

Neem deze aanwijzingen in acht om materiële schade te voorkomen.



### **OPMERKING!**

Informatie en advies over het gebruik van het toestel.

## 1.2. Beoogd gebruik

De Prowise Universal Storage & Charging Case is bestemd voor het opladen, opbergen en verplaatsen van personal devices voor gebruik in klaslokalen, zoals Chromebooks, Notebooks en tablets. Ieder ander gebruik dan in deze veiligheidsinstructies staat beschreven sluit Prowise B.V. uit van iedere verantwoordelijkheid en aansprakelijkheid in geval van materiële schade en/of letsel. Wijzig niets aan het product zonder schriftelijke toestemming van Prowise. Bij oneigenlijk gebruik komt de garantie te vervallen.

### 1.3. EG Conformiteitsinformatie

Prowise B.V.  
Luchthavenweg 1b  
6021 PX Budel  
Nederland

Verklaart hierbij geheel onder eigen verantwoordelijkheid dat het product:

**Prowise Universal Storage & Charging Case met productnummer:  
PW.2.32011.0001 / PW.2.32013.0001**

Waarop deze verklaring van toepassing is, voldoet aan de fundamentele veiligheids- en gezondheidseisen van onderstaande Europese richtlijnen:

Laagspanningsrichtlijn 2014/35/EU  
EMC Richtlijn 2014/30/EU



## 2. Veilig gebruik

### 2.1. Belangrijke veiligheidsinstructies



#### **LET OP!**

##### **Neem de volgende veiligheidsinstructies in acht:**

Prowise B.V. is niet aansprakelijk voor verwondingen, schade en/of overmatige slijtage door onjuist gebruik en onderhoud of modificaties aan het product.

Gebruik uitsluitend door ons geleverde onderdelen en accessoires.

Reparaties door derden zijn niet toegestaan.

Gebruik het product niet onder extreme weersomstandigheden.



#### **WAARSCHUWING!**

##### **Waarschuwing voor delen onder elektrische spanning**

Open nooit de behuizing van de stroomtoevoer! Dit kan leiden tot een elektrische schok, kortsluiting of zelfs tot brand, waardoor verwondingen kunnen worden opgelopen en de oplaadkoffer kan beschadigen.

Steek geen voorwerpen in de openingen van de stroomtoevoer. Dit kan leiden tot kortsluiting of zelfs brand.

Verbind de oplaadkoffer bij onweer niet met de netstroom om schade door blikseminslag te voorkomen.

Zorg ervoor dat de oplaadkoffer niet nat wordt! Dit kan leiden tot kortsluiting en elektrocutiegevaar. Plaats het product niet in de buurt van water en plaats geen vloeistofhoudende voorwerpen op, in of naast de oplaadkoffer.

De stekkerverbindingen mogen in geen geval in contact komen met water. Schakel het product direct uit en trek de stekker uit het stopcontact wanneer dit toch gebeurt. De stekkerverbindingen moeten volledig droog zijn voordat het product weer in gebruik genomen mag worden.

Raak de stekkerverbinding nooit met natte handen aan.

Zorg ervoor dat het stopcontact niet overbelast raakt, bijvoorbeeld door een verdeelstekker te gebruiken. Overbelasting kan

kortsluiting tot gevolg hebben.

Trek de stekker uit het stopcontact en neem contact op met onze servicedesk wanneer:

de netsnoer of stekker beschadigd is. Vervang de defecte aansluitkabel alleen door een origineel exemplaar. Repareer nooit beschadigde kabels en stekkers, maar vervang ze.

er vloeistoffen in het product zijn binnengedrongen.

er ongewone geluiden of geuren uit het product komen.

Dit kan het gevolg zijn van een interne kortsluiting.



## **WAARSCHUWING!**

### **Waarschuwing voor mogelijk (ernstig) letsel**

Ga niet op de oplaadkoffer staan, dit geldt met name voor kinderen! Dit veroorzaakt risico op vallen met mogelijk ernstig letsel tot gevolg.

Zorg ervoor dat de aansluitkabel niet in de looproute ligt om struikelgevaar te voorkomen.

Laat nooit kinderen op de oplaadkoffer klimmen, zitten of aan de oplaadkoffer hangen. Hierdoor kan de oplaadkoffer omvallen wat ernstig letsel kan veroorzaken.



## **LET OP!**

Het is belangrijk dat het stopcontact zich in de buurt van de oplaadkoffer bevindt en makkelijk bereikbaar is tijdens het opladen.

Sluit de oplaadkoffer alleen aan op een geaard stopcontact. Gebruik de oplaadkoffer niet buiten.

Dek de openingen van de oplaadkoffer niet af. Deze openingen zorgen voor de noodzakelijke ventilatie. De oplaadkoffer en de opgeslagen personal devices kunnen oververhit raken als de ventilatieopeningen worden afgedekt.

Gebruik alleen de meegeleverde netsnoer om schade aan het product te voorkomen.

Hoewel de oplaadkoffer een perfecte bescherming biedt voor personal devices, is het niet aan te raden deze bloot te stellen aan

vallen, hevige trillingen of schokken. Dit kan de oplaadkoffer en de opgeslagen personal devices beschadigen.  
Bekras de oplaadkoffer niet met scherpe of harde voorwerpen.

## 2.2. Leveringsomvang

Controleer de volledigheid van de levering en neem binnen vijf (5) dagen na levering schriftelijk contact op met onze servicedesk indien de levering niet compleet is. Gelieve hiervoor het serienummer en een kopie van de factuur door te geven.

De geleverde doos bevat de volgende onderdelen:

- Prowise Universal Storage & Charging Case
- Netsnoer
- Sleutel (2 stuks)
- Verstelbare panelen (4 stuks)



### **WAARSCHUWING VOOR GEVAAR!**

Bewaar het verpakkingsmateriaal, zoals de folie, altijd buiten het bereik van kinderen. Verkeerd gebruik van verpakkingsmateriaal kan verstikkingsgevaar veroorzaken.

## 2.3. Opbergen en opladen van externe personal devices



### **LET OP!**

Zorg ervoor dat de verstelbare panelen recht worden teruggeplaatst in de oplaadkoffer. Let hierbij op de geleidingsgroeven die in de wand van de oplaadkoffer zitten. Wanneer het verstelbaar paneel niet in de tegenoverstaande geleidingsgroeven wordt teruggeplaatst kan dit leiden tot schade aan de opgeslagen personal devices.

De oplaadkoffer is speciaal ontworpen voor het opbergen, opladen en verplaatsen van Prowise Chromebooks, Prowise Windows Notebooks en andere personal devices in klaslokalen. Om ervoor te zorgen dat de oplaadkoffer compatibel is met meerdere soorten personal devices is de oplaadkoffer voorzien van verstelbare panelen. Let bij het opbergen en opladen van personal devices op de volgende instructies:

Zorg ervoor dat de afdekplaat van de oplaadstations altijd goed is bevestigd wanneer de oplaadkoffer in gebruik is.



Let op dat de oplaadkabels door de openingen van de afdekplaat worden geleid. Wanneer deze kabels tussen de afdekplaat en de oplaadkoffer terechtkomen, kunnen deze kabels beschadigd raken.

Gebruik de oplaadkoffer enkel voor het opladen, opbergen en verplaatsen van personal devices voor gebruik in klaslokalen zoals Chromebooks, Notebooks en tablets. Sluit geen andere voorwerpen dan personal devices op de oplaadkoffer aan en plaats geen andere voorwerpen in de oplaadkoffer.

Gebruik geen beschadigde oplaadkabels om personal devices op te laden. Inspecteer regelmatig alle kabels op beschadiging om kortsluiting te voorkomen.

Zorg ervoor dat alle kabels goed zijn aangesloten en dat de juiste voedingsadapter gebruikt wordt.

Gebruik enkel oplaadkabels die door de leverancier van de personal devices wordt meegeleverd.

Sluit enkel personal devices aan die voldoen aan de voor jouw land gestelde veiligheidsnormen.

Zorg ervoor dat de totale elektrische belasting niet hoger is dan 1000 watt.

Trek niet aan de kabels van de adapters om deze uit de oplaadstations te halen.

Gebruik geen overmatige kracht om de adapters in de oplaadstations aan te sluiten.

## 2.4. Plaatsing

Plaats de oplaadkoffer op een stabiele ondergrond.

Sluit de oplaadkoffer alleen aan op een geaard stopcontact.

Vermijd een vervuilde omgeving.

Plaats de oplaadkoffer niet in de buurt van apparaten die warmte produceren.

Installeer en gebruik het product niet in de buurt van vloeistofhoudende voorwerpen.

Zorg dat alle ventilatieopeningen van de oplaadkoffer te allen tijde vrij blijven, zodat de warme lucht kan worden afgevoerd.

## 2.5. Omgevingsomstandigheden

De oplaadkoffer kan worden gebruikt bij een omgevingstemperatuur van +5 °C tot +30 °C en een relatieve luchtvochtigheid van 20% - 80% (niet condenserend). In uitgeschakelde toestand kan de oplaadkoffer worden opgeslagen bij een temperatuur tussen 0 °C tot 60 °C.

Trek tijdens onweer de stekker uit het stopcontact. Wij adviseren om gebruik te maken van een overspanningsbeveiliging om de oplaadkoffer en de aangesloten personal devices te beschermen tegen beschadiging door spanningspieken of blikseminslag op het elektriciteitsnet.

## 2.6. Ergonomie

De oplaadkoffer kan als een trolley worden verplaatst. Houd in acht dat een gevulde oplaadkoffer zwaar is. Til de oplaadkoffer niet alleen op om lichamelijke klachten te vermijden. Wanneer de oplaadkoffer moet worden opgetild, doe dit dan met twee personen en gebruik de handvatten aan de zijkant van de oplaadkoffer. De oplaadkoffer is voorzien van geremde scharnieren. Hierdoor valt de deksel niet direct dicht en worden vingers beschermd.

## 2.7. Aansluiten

Neem de onderstaande instructies in acht om de oplaadkoffer veilig aan te sluiten:

### 2.7.1. Voeding



#### **WAARSCHUWING !**

Gebruik geen beschadigde netsnoer of stekker. Vervang de defecte netsnoer of stekker alleen door een origineel exemplaar. Repareer nooit zelf beschadigde kabels en stekkers.

Het stopcontact moet zich in de buurt van de oplaadkoffer bevinden en makkelijk bereikbaar zijn wanneer de oplaadkoffer verbonden is met netstroom.

Onderbreek de stroomvoorziening van de oplaadkoffer door de netsnoer uit het stopcontact te halen.

Gebruik de netsnoer uitsluitend in gearde stopcontacten met AC 100-240 V~ 50-60 Hz. Bij twijfel over de stroomvoorziening op de plaats van installatie, raadpleeg het energiebedrijf.

Gebruik uitsluitend de meegeleverde netsnoer en stekker.

In verband met de extra veiligheid is het advies om gebruik te maken van een overspanningsbeveiliging om de oplaadkoffer en de aangesloten personal devices te beschermen tegen beschadiging door spanningspieken of blikseminslag op het elektriciteitsnet.

## 2.8. Kabels

Leg kabels niet in een looproute, zodat niemand erop kan trappen of erover kan struikelen.

Plaats geen voorwerpen op de kabels, om te voorkomen dat ze beschadigd raken.

Vervang de meegeleverde kabels niet door andere kabels. Maak uitsluitend gebruik van de meegeleverde kabels van Prowise.

Maak voor het opladen van de personal devices uitsluitend gebruik van de kabels die met deze toestellen worden meegeleverd.

Zorg dat alle verbindingkabels zijn aangesloten op de bijbehorende personal devices om interferentie te voorkomen.

## 2.9. Onderhoud



### LET OP!

De elektrische componenten bevatten binnenin geen onderdelen die moeten worden gereinigd of onderhouden.

Om schade te voorkomen mogen de elektrische aansluitpunten niet in contact komen met water. Indien dit toch het geval is, moeten de aansluitpunten eerst volledig droog zijn voordat de oplaadkoffer weer in gebruik mag worden genomen.

Haal voor het reinigen altijd de netsnoer uit het stopcontact.

Reinig de binnenkant van de oplaadkoffer uitsluitend met een zachte, droge en pluisvrije doek.

Gebruik geen agressieve chemische reinigingsmiddelen om de buitenkant van de oplaadkoffer te reinigen.

Breng het reinigingsmiddel eerst op een doek aan en nooit rechtstreeks op de oplaadkoffer. Let op dat er geen vloeistoffen de oplaadkoffer binnendringen en spray geen reinigingsmiddelen in de ventilatieopeningen.

## 2.10. Verplaatsen



### **WAARSCHUWING VOOR GEVAAR!**

Laat de oplaadkoffer nooit door kinderen verplaatsen en let op dat kinderen niet rond de oplaadkoffer staan wanneer deze wordt verplaatst. Wanneer de oplaadkoffer zou vallen bestaat de kans op ernstig letsel.

Neem de volgende richtlijnen in acht bij het verplaatsen van de oplaadkoffer:

Sluit de deksel van de oplaadkoffer en zorg ervoor dat deze goed dicht is.

Trek de stekker uit het stopcontact en verwijder de aansluitkabel zodat deze niet over de grond sleept of in het looppad van de oplaadkoffer komt te liggen.

Zorg ervoor dat er geen voorwerpen op de oplaadkoffer staan wanneer deze wordt verplaatst.

Verplaats de oplaadkoffer uitsluitend over een vlakke en stabiele ondergrond.

Pak de oplaadkoffer vast bij het handvat aan de zijkant om deze als een trolley te verplaatsen.

Wanneer de oplaadkoffer opgetild moet worden, doe dit dan met minstens twee personen. Gebruik de handvatten om de oplaadkoffer op te tillen.

Let op dat nergens tegenaan wordt gebotst tijdens het verplaatsen van de oplaadkoffer, dit kan voor schade aan de oplaadkoffer en de omgeving zorgen.

## 3. Reparatie



### **WAARSCHUWING!**

Probeer het product nooit zelf te repareren. Dit veroorzaakt risico op een elektrische schok en/of kortsluiting.

Neem bij storingen of schade aan de oplaadkoffer contact op met Prowise of een gecertificeerde partner.

Indien de oplaadkoffer defecten vertoont, neem dan uitsluitend contact op met de Prowise servicedesk of een gecertificeerde partner.

Probeer nooit zelf de oplaadkoffer te repareren, demonteren of de behuizing van de elektrische componenten te openen.

Het openen van de behuizing van elektrische componenten is voorbehouden

aan gecertificeerde Prowise servicetechnici.

De garantie van de Prowise Universal Storage & Charging Case vervalt indien onbevoegden modificaties of reparaties aan het scherm uitvoeren, tenzij anders vermeld.

## 4. Milieu

Verwijder de netsnoer uit het stopcontact wanneer de oplaadkoffer voor langere tijd niet gebruikt wordt.

Wanneer de Prowise Universal Storage & Charging Case niet meer bruikbaar is, kan deze bij een hiertoe aangewezen inzamelpunt worden ingeleverd.

### 4.1. Recycling en afvoer

Wanneer je vragen hebt over de juiste afvoer, kun je contact opnemen met Prowise of een gecertificeerde partner.



#### VERPAKKING

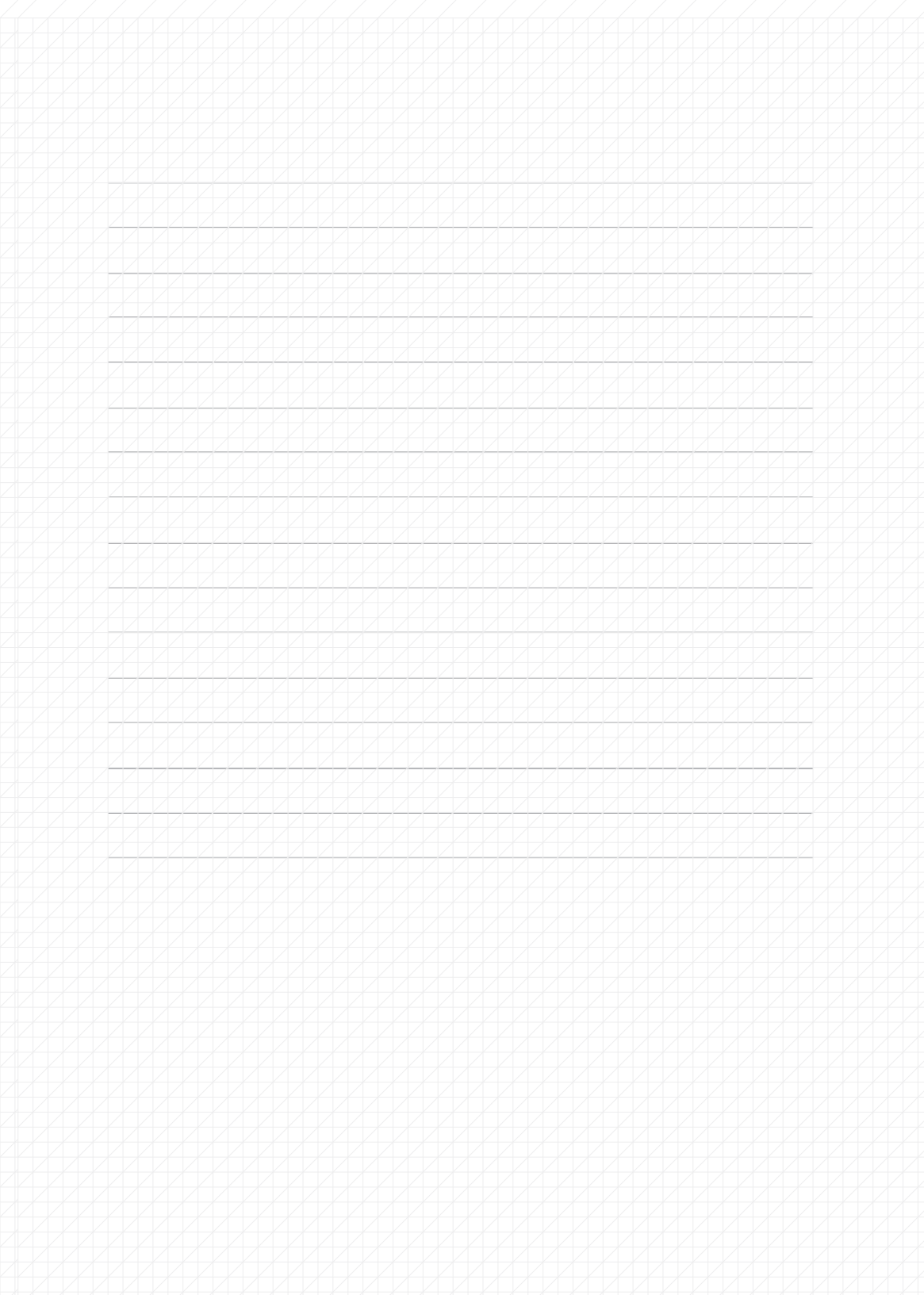
Het product is verpakt om transportschade tegen te gaan. Verpakkingen zijn grondstoffen en kunnen hergebruikt of gerecycled worden.



#### PRODUCT

Voer het product aan het einde van de levensduur niet af met het huishoudelijk afval. Informeer naar de mogelijkheden voor een milieuvriendelijke en verantwoorde manier van afvoeren.





Let education speak

**Prowise**

[www.prowise.com](http://www.prowise.com)