



## Specsheet Prowise Neo Stand Feet

Product code PW.1.21001.0015

**Whenever a Wall Mounted Neo Lift can't be installed and a Neo Mobile Lift is not preferred either, the Stand Feet Accessory offers you the extra flexibility you need.**

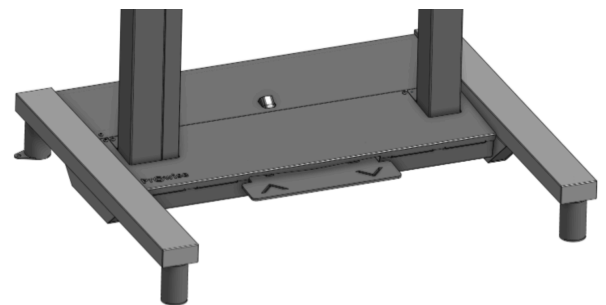
Sometimes, due to environmental reasons, it is not possible to mount a Prowise Neo Lift to the Wall. Think of the presence of Asbestos inside the wall, a wall in a monumental building that is not allowed to drill holes in, usage in a temporary (class)room, a hollow or very thin (plasterboard) wall that is not sturdy enough, etcetera. Converting the Neo Wall Lift to A Mobile Lift isn't always a desired solution either due to the possibility to reposition it..

In that case, the Neo Stand Feet are just the accessory you need. A Flexibel set up, either Free standing against the wall or Freestanding in the Middle of the (Class)room, Hallway or Central spaces. You can position it everywhere you want.

The Mobile Wheel Base Module can be changed into a Free Standing Mobile Stand, by exchanging the Wheels for Stand Feet.

The Stand Feet have a flexible top and bottom side.

The bottom side of the Stand Feet have a little flange with a mounting hole that enables you to fixate the Stand Feet to the Floor.



A self adhesive Felt Pad is included to avoid damages to your floor

Stand Feet are Compatible with the Neo Mobile Base and Neo Mobile Base Small. All screen combinations from 55" up to 98" with and without Whiteboard Frames are compatible.

### Technical specifications

	Neo Mobile Wheel Base	Neo Mobile Wheel Base Small
<b>Suitable for</b>	All Prowise Touchscreens	All Prowise Touchscreens up to 86" (<70 kg), without Whiteboard Frame *
<b>Certifications</b>	CE (certified in combination with Lift)	CE (certified in combination with Lift)



<b>Warranty</b>	5 year	5 year
<b>Gross weight</b>	1.48 kg	1.48 kg
<b>Net weight</b>	1.27 kg	1.27 kg
<b>Dimensions package (WxDxH)</b>	160 x 160 x 110 mm	160 x 160 x 110 mm
<b>Dimensions product</b>	Ø tube: 54 mm Dept including flange: 77.5 mm Height 90 mm	Ø tube: 54 mm Dept including flange: 77.5 mm Height 90 mm

\*Limitation is based on the Mobile Wheel Base Small, not related to the Stand Feet as accessory on it's own.