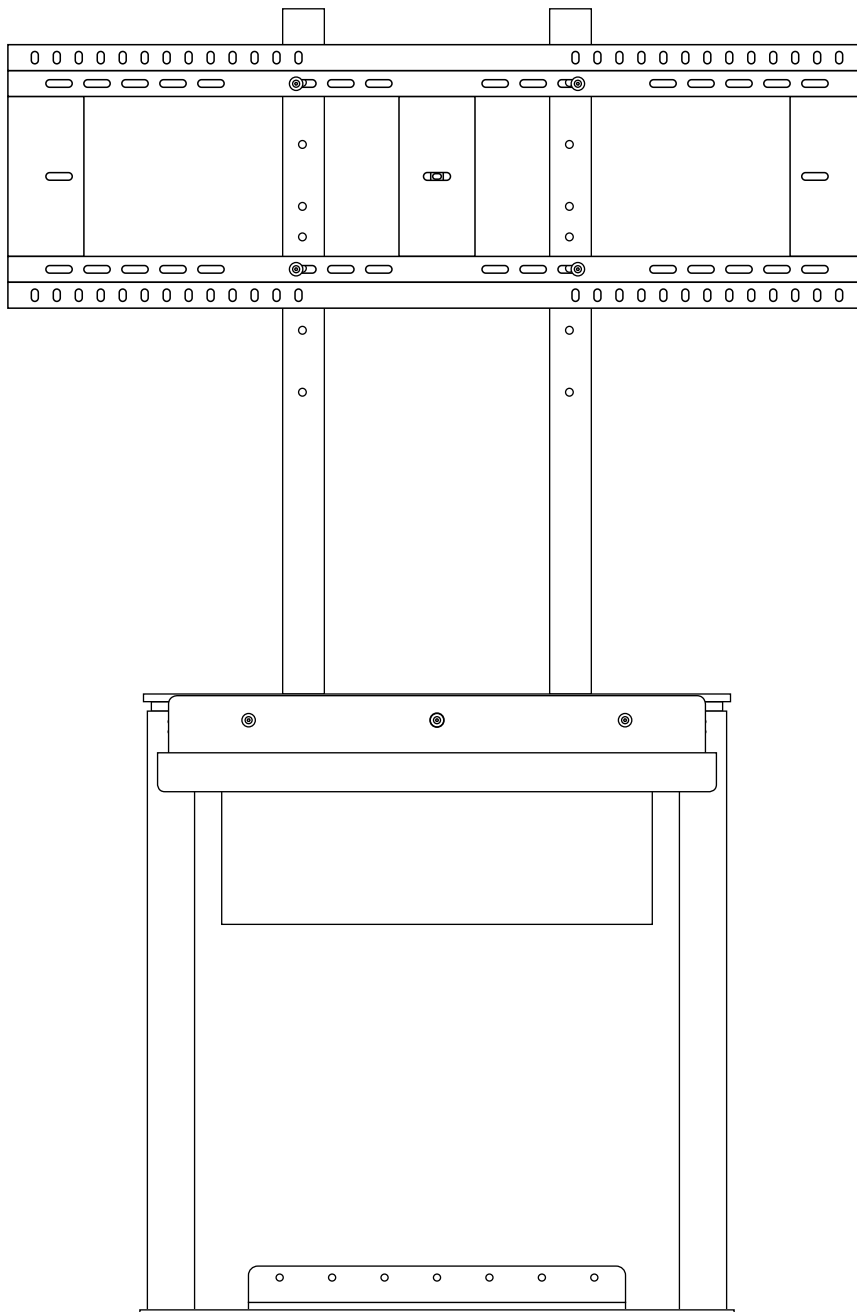


Prowise

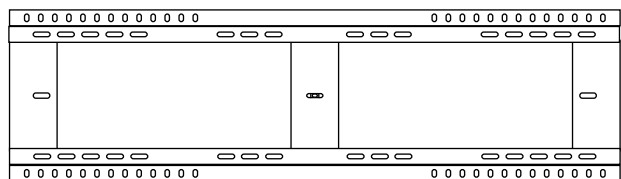
Assembly Manual Prowise Wall Lift



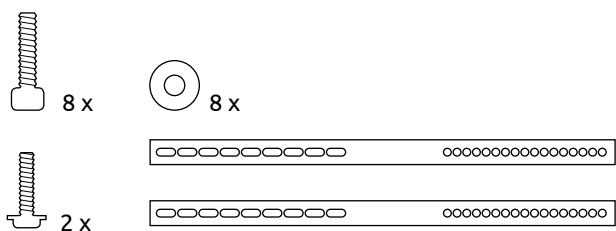
Included

- A** • VESA mounting plate for mounting a Prowise multi-touch screen

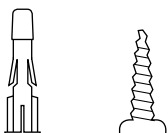
Only use the supplied materials!



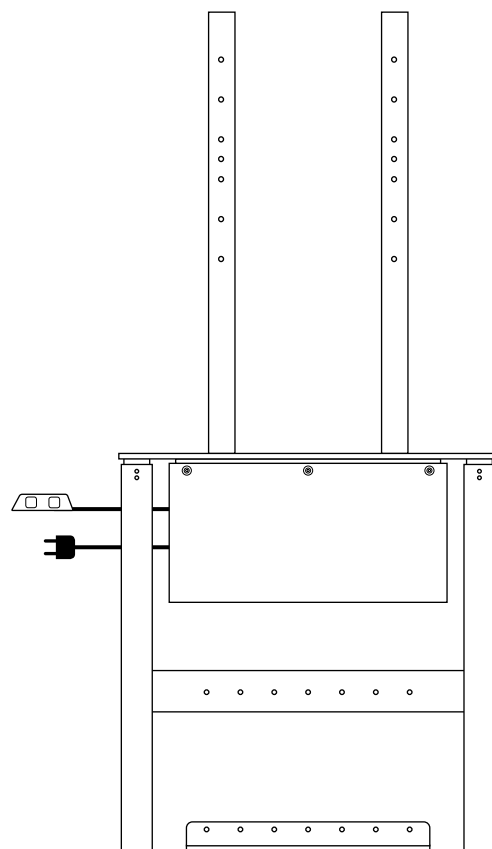
- B** • 2 mounting brackets for mounting the Prowise multi-touch screen
- 8 x M8x20 bolts en 8 x M8 washers
 - 2 x M5x8 for securing the Prowise multi-touch screen to the lift.



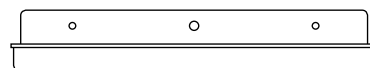
- C** • Liftbase, including:
- Control unit
 - Controller
 - Power strip

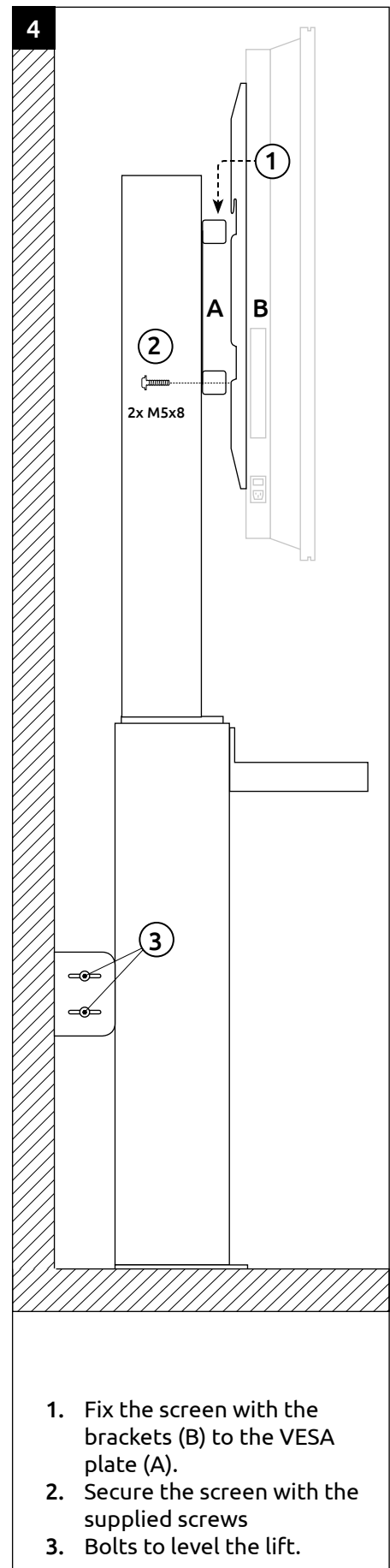
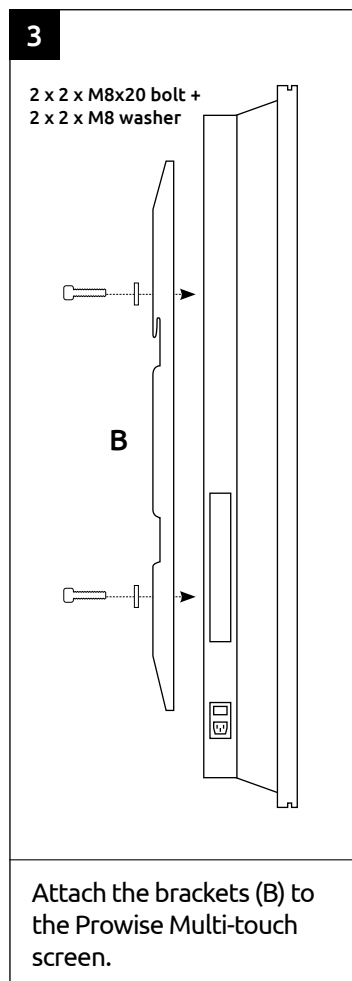
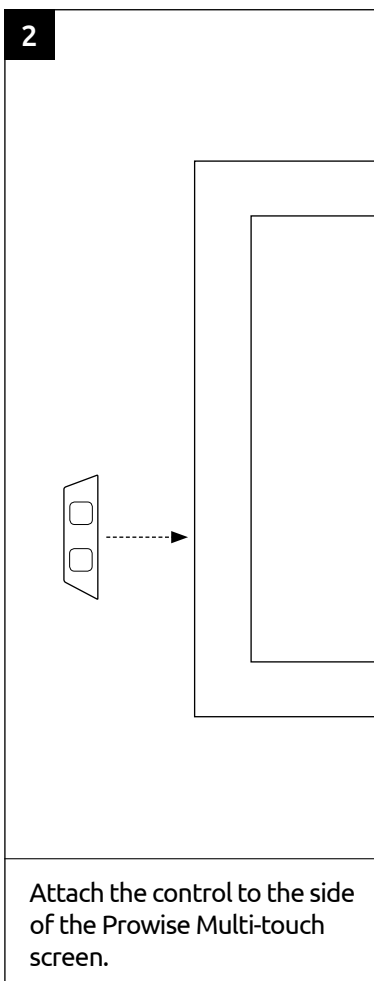
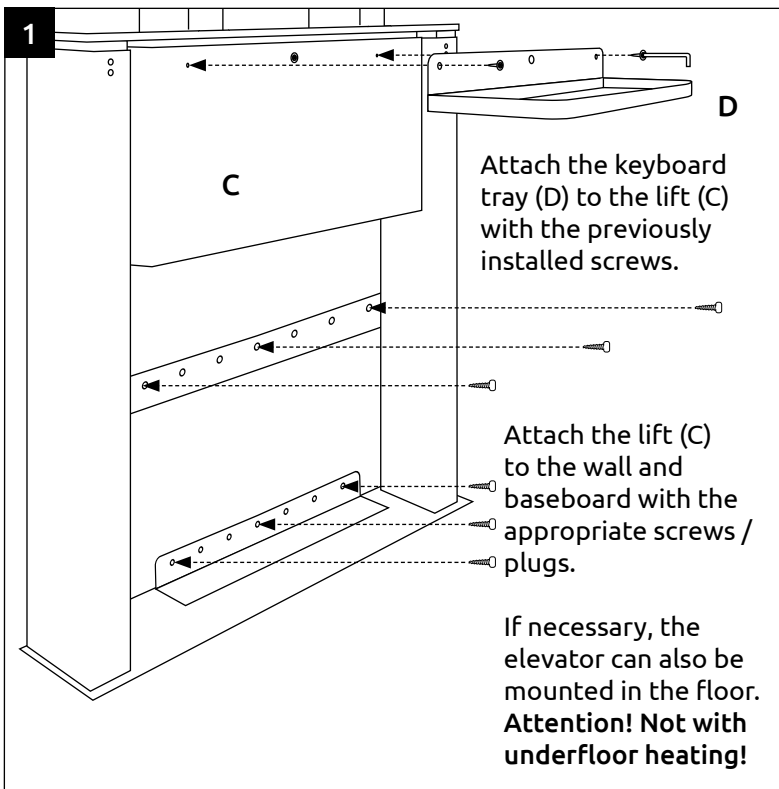


Attention!
Screws / plugs for attaching the lift to the wall / baseboard are not included. Type screws / dowels depend on the wall / baseboard.



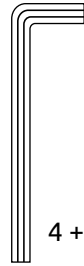
- D** • Keyboard Tray





Required Tools

- Allen key 4 + 6 + 8
- Phillips screwdriver PH2
- Ring Wrench 17



4 + 6 + 8



PH2



17

Prowise

Prowise B.V.
Luchthavenweg 1b
6021 PX Budel
The Netherlands
Tel. +31 495 49 71 10
info@prowise.com

www.prowise.com