

User Documentation Prowise All-in-One lift



Prowise B.V.
Luchthavenweg 1b
6021 PX Budel
The Netherlands
Tel. +31 (0)495 497110

Prowise

CE marking

This machine has CE marking. This means that the All-in-One lift meets the applicable European guidelines. These guidelines are stated in the Declaration of Conformity.



Only use the installation in accordance with the rules and instructions given in this instruction manual. Contact Prowise B.V. if in doubt as to how to use the installation.

We assume that you, your employees and others who use the machine or come into contact with it know how to handle it. This includes the correct use, maintenance and repair of the machine, as described in this instruction manual. This also means that operators must have learnt how to use a machine through training and experience.

Disclaimers:

Prowise B.V. does not except liability for unsafe situations, accidents and damage as a result of: Ignoring warnings or instructions stated on the All-in-One lift or in this documentation.

- Using the machine for other purposes than or under different conditions to those stated in this documentation.
- Changes made to the All-in-One lift. This also includes using non-original replacement parts.
- Insufficient maintenance.
- The unauthorized removal of safety covers and/or guards.
- The unskillful use of the machine.
- Alterations and/or changes that affect the safety of the machine may not be made without the permission of Prowise B.V. They are not made under the responsibility of Prowise B.V. and are at the full responsibility of the person who makes the changes. The warranty is invalidated as soon as alterations and/or changes are made to the machine.

Prowise B.V. is not liable for consequential damage as a result of faults with the All-in-One lift (for example, damage to products or the interruption of operations).

© Prowise B.V.

No part of this documentation may be reproduced in any form whatsoever without the permission of Prowise B.V.

Declaration of Conformity

(in accordance with appendix II.1.A of the Machinery Directive)

With regard to the Machinery Directive.

We, Prowise B.V.

Luchthavenweg 1b

6021 PX Budel

The Netherlands

Declare under sole responsibility that:

We are the manufacturer of the product:

The All-in-One lift with serial number: BW.LIFT.X

to which this declaration refers, is in conformity with the applicable requirements of the following directive(s):

- Machinery Directive 2006/42/EC
- Low Voltage Directive 2006/95/EC
- EMC Directive 2004/108/EC

The following harmonized standards apply:

- NEN-EN-ISO 12100
- NEN-EN 349
- NEN-EN 953
- NEN-EN-ISO 13857
- NEN-EN 60204-1

Location: Budel

Date: 15-Dec-14

Name: Prowise B.V.

Management of Prowise B.V.



Contents

1.	Introduction	7
	1.1 Functional description of the All-in-One lift	7
	1.2 Necessary accessories	8
2.	Safety	9
	2.1 Introduction	9
	2.2 General safety rules	9
	2.3 Warnings on the machine	9
	2.4 Special safety features	12
	2.5 Physical conditions of use	14
	2.6 Applicable directives and standards	14
	2.7 Specifications	14
3.	Operating instructions	15
	3.1 General information	15
	3.2 Operation of the All-in-One lift	15
	3.3 General faults	17
	3.4 Cleaning	18
4.	Other work	19
	4.1 General maintenance instructions	19
	4.2 Scrapping	20
5.	Signs on the machine	21
	5.1 Type plate	21
	5.2 Warnings	21
6.	Spare parts	22



Photograph index

Photograph 1: Control panel	8
Photograph 2: IEC 60320, C13	8
Photograph 3: PIC 337 warning pictogram	10
Photograph 4: PIC 337 and PIC 616 warning pictograms	11
Photograph 5: Swivel wheel with brake	12
Photograph 6: Extendible parts	13
Photograph 7: Fixed guard of tipping unit	13
Photograph 8: Lift operating buttons	16
Photograph 9: Tipping unit operating buttons	17

Figure index

Figure 1: All-in-One lift	7
Figure 2: PIC 337 Risk of hand injuries	9
Figure 3: PIC 616 Observe the instructions for use	11
Figure 4: Load indication	11

How to use this documentation

This documentation has been specially written for people who use the All-in-One lift. Only adults may use the All-in-One lift.

Prowise B.V. has a technical assembly file for the All-in-One lift. The file contains the following:

- A risk analysis of the All-in-One lift with a description of the required measures.
- The technical documentation of the components that are part of the All-in-One lift.



The sections of text that are important for the safety of people are printed in red.



Important tips or references are preceded by the pictogram shown opposite and are printed in bold, just as this text is.

The details shown in the photographs may differ from those of the All-in-One lift delivered to you.

1 Introduction

1.1 Functional description of the All-in-One lift

The All-in-One lift can be used to easily alter the height and tilting angle of the mounted display. Both the height and the tilting angle are electronically adjustable.

The All-in-One lift can be placed in the following positions:

- Table position (the height can be adjusted).
- Drafting table position (the height can be adjusted).
- Upright position (the height can be adjusted).

Furthermore, the All-in-One lift has a base with swivel wheels, so that it can be manually moved to a different location.

The All-in-One lift consists of the following main components. Also see figure 1 and photographs 1 and 2.

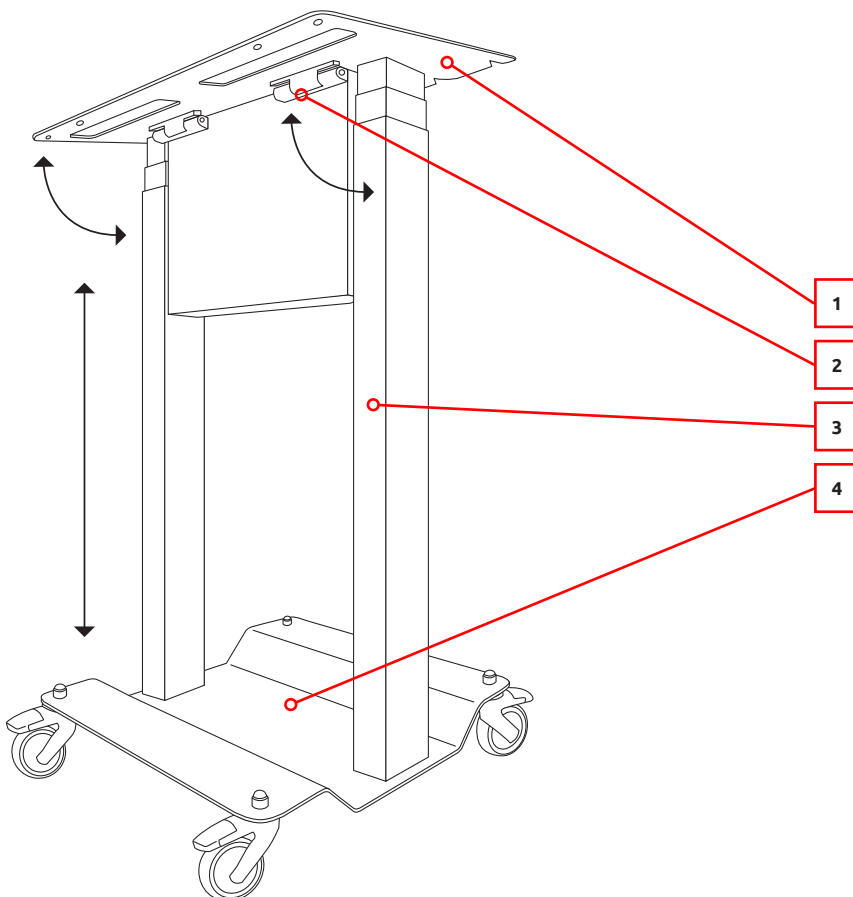


Figure 1: All-in-One lift



Photograph 1: Control panel



Photograph 2: IEC 60320, C13

1. Display assembly plate
2. Control box with tipping unit
3. Lift system
4. Footplate with 4 swivel wheels with a brake
5. Control panel
6. Power cable with power plug AUS, EU, UK, US to IEC 60320, C13

1.2 Required accessories

The following items belong to and are included with the All-in-One lift.

- All-in-One lift user documentation (i.e. this document).

2 Safety

2.1 Introduction

The All-in-One lift has been designed and constructed so that it can be used and maintained safely, based on the use, the conditions of use and the instructions given in this document. It is, therefore, necessary for everybody who is authorized to work with or on the All-in-One lift to read and observe the instructions.

The work stated in "Operating instructions" can be performed by service personnel.

Work that is not stated in "Operating instructions" may only be carried out by skilled personnel. Keys or special tools provided for restricting access to certain sections or functions must not be left unattended on the machine. Only people with the required knowledge or who have received the required training may use them.

2.2 General safety rules

- Only move the All-in-One lift when it is in the lowest setting.
- Do not place the lift in the vicinity of water. Do not place any liquids on or close to the lift.
- Do not open the lift by unscrewing it. There is a risk of an electric shock.
- Do not place the All-in-One lift on an incline.
- Safety features must not be removed nor rendered non-operational.
- All the required safety features must be in a good condition and function correctly.
- Make sure there is sufficient ambient lighting when carrying out maintenance work.

2.3 Warnings on the machine

Warning texts/pictograms are placed on the All-in-One lift. The following rules apply:

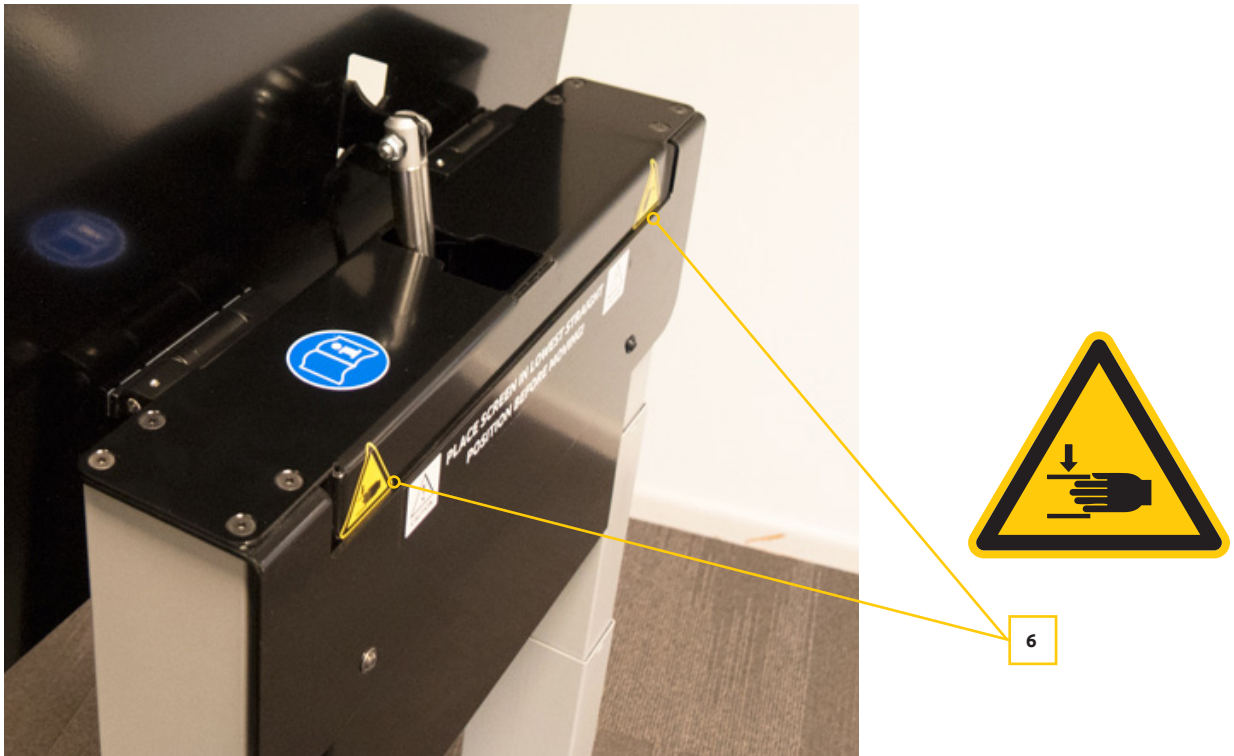
- The warnings must not be removed or damaged. The operator must regularly check whether they are still present and not damaged.
- The operator is responsible for ensuring that the warnings are always clearly visible and legible.

The pictograms/signs used are shown below:

- A risk of becoming trapped is always present. It cannot be avoided because of how the lift works. Therefore, a warning is given of this hazard by means of the warning pictogram shown in figure 2. The warning pictograms are placed in the following locations. Also see photographs 3 and 4.



Figure 2: PIC 337 Risk of hand injuries



Photograph 3: PIC 337 warning pictogram

- Operators must be informed that they are only permitted to operate the All-in-One lift after they have read the instruction manual. They are informed of this by means of the mandatory sign shown in figure 3 and the warning “Read the instruction manual before use”. Also see photograph 4.



Figure 3: PIC 616 Observe the instructions for use



Photograph 4: PIC 616 warning pictograms

- The maximum load that the All-in-One lift can be subjected to must be specified on the All-in-One lift. Also see figure 4. This is stated on the type plate.

Maximum load = 75kg

Figure 4: Load indication

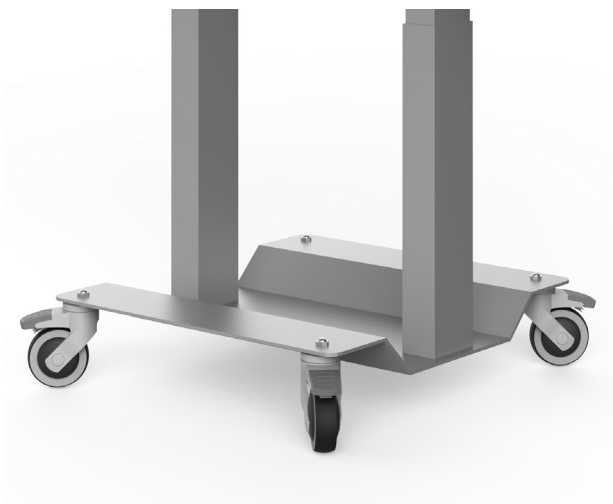
2.4 Special safety features



Never remove a safety feature while the installation is in operation. This can result in a hazardous situation, possibly with irreversible physical injury.

The All-in-One lift has the following special safety features:

- During the lifting and tipping movements, the operating button must be pressed according to the “Hold to run” principle.
- If there is a risk of becoming trapped, the upward or downward movement will be stopped by means of the PIEZO technique.
- If a body part does become trapped, the tipping movement stops and the lift tips back a set distance.
- All four swivel wheels have a brake. Also see photograph 5.



Photograph 5: Swivel wheel with brake

- The lift system is designed in such a way that the gaps between the extendible parts are so small that they do not pose an extra risk of becoming trapped. Also see photograph 6.



Photograph 6: Extendible parts

- The tipping unit has a fixed guard so that access to the hazard zone is restricted to a minimum. Also see photograph 7.



Photograph 7: Tipping unit fixed guard



Attention! Never start the All-in-One lift if the above-mentioned safety features are not present.

2.5 Physical conditions of use

The following physical conditions are applicable:

During transport/storage:	+0 to 55 degrees Celsius
Ambient temperature, operational:	+5 to 40 degrees Celsius
Relative humidity (RH) :	30% to 100%, condensing
Lighting:	Normal ambient lighting
Height:	Air pressure up to 1,000 m above sea level



The All-in-One lift is not intended for use in the open air.

The All-in-One lift is not suitable for use in an explosive environment.

2.6 Applicable directives and standards

See the Declaration of Conformity.

2.7 Specifications

- The maximum weight of the display = 75 kg.
- Dimensions
- 570 x 600 mm
- Height alteration 660 mm
- Height in horizontal position 664 - 1324 mm
- Height in vertical position 989 - 1649 mm
- Weight 50 kg
- Suitable for multi-touch screens

3 Operating instructions



3.1 General information

Also read chapter 2, Safety.

3.1.1 Operators

This appliance is not intended for use by persons (including children) with reduced physical, sensory or mental capabilities, or lack of experience and knowledge, unless they have been given supervision and instruction concerning use of the appliance by a person responsible for their safety. The appliance should always be attended by adults. Children should be supervised to ensure that they are not nearby the appliance or do not play with the appliance.

3.1.2 Personal protective equipment (PPE)

In order to operate the All-in-One lift, the operator must observe the following personal safety rules and use the following personal protective equipment:

- Do not wear loose fitting clothes, necklaces, rings, bracelets, etc.



If in doubt about whether to use personal protective equipment for certain work tasks, always consult an expert on the matter.

3.2 Operating the All-in-One lift

If the operator wishes to start the All-in-One lift, the operator must strictly observe the procedure given below so that personal safety is guaranteed.

The machine may only be turned on if the following conditions are met:

- The operator observes all the safety rules given in 2.2.
 - All the safety features work correctly and there are no faults.
1. The following checks must be made before the All-in-One lift is moved:
 - The All-in-One lift is placed in the lowest setting and the display is upright.
 - The plug is removed from the plug socket and the cable is rolled up so that it is not possible to trip over the cable.
 - The brakes of the swivel wheels have been released.
 2. Preferably have two people move the All-in-One lift.
 3. The new location of the All-in-One lift must meet the following requirements:

- Only place the All-in-One lift on a flat and level floor.
 - Do not place the All-in-One lift in the vicinity of water. Do not place any liquids on or close to the All-in-One lift.
 - Make sure all the ventilation openings are uncovered, so that heat can be released.
4. Only connect the All-in-One lift to an earthed electrical socket.
 5. Make sure the power cable is not placed in an aisle and that the All-in-One lift is not rolled over the power cable.
 6. The All-in-One lift must be initialized after it has been moved. See 4.2.1 for more instructions.
 7. The All-in-One lift must be initialized after it has not been used for a long time. See 3.2.1 for more instructions.
 8. The software includes a safety feature that stops the movement of the All-in-One lift if the display touches something when it is moving upwards or downwards. Next, the display moves 10 mm in the opposite direction. Afterwards, the All-in-One lift can be used again, but it must first be initialized. See 4.2.1 for more instructions.

3.2.1 Initializing the lift



Photograph 8: Lift operating buttons

1. Keep the button pressed until the lift has almost reached the lowest position.
2. Release the button.
3. Press the button again and keep it pressed. The lift continues to the move to the lowest position.

Next, the lift remains still for 5 seconds. Keep the button pressed during this time.

4. Release the button once the lift starts moving back up again. It has now been initialized.

3.2.2 Initializing the tipping unit



Photograph 9: Tipping unit operating buttons

1. Press the button towards horizontal position until the tipping unit is almost horizontal.
2. Release the button.
3. Press the button again and keep it pressed. The tipping unit continues to move until it is completely horizontal. Next, the unit remains still for 5 seconds. Keep the button pressed during this time.
4. Release the button once the tipping unit starts moving back up again. It has now been initialized.

3.3 General faults

Note!

A fault always comes at a bad time and people often try to rectify the fault as quickly as possible. However, never lose sight of safety and observe the following instructions.

- Only people who have read this user documentation may handle the machine. These people must receive instruction and training concerning the production process and how to safely operate the installation. They must also be aware of all the hazards and know how to deal with them.
- Always observe the local labour and environmental regulations, as well as the safety rules.
- Never remove a safety feature while the installation is in operation. This can result in a hazardous situation, possibly with irreversible physical injury. Use bridging tools for necessary work that requires the safety features to be removed.
- Only use spare parts that are supplied or recommended by the manufacturer. Keep a sufficient amount of spare parts in stock.
- Try to re-initialize the lift in the event of a fault. See 4.2.1 for more instructions.

- In the event of a fault, remove the plug from the plug socket and reinsert it after 2 minutes. If the fault is still present, contact the Prowise service desk.

3.4 Cleaning

Depending on the work to be carried out, the following instructions must be observed when cleaning the All-in-One lift:

- Thoroughly inspect all the parts for damage and faults. If in doubt, always replace the part or have it inspected by an expert.

Clean the All-in-One lift with a dry cloth.



4 Other work

4.1 General maintenance instructions

Maintenance is extremely important for the reliability and durability of the All-in-One lift and its components. It is the user's responsibility to notice any irregularities in the operation of the machine at an early stage and to rectify them. This prevents excessive wear of the parts and damage to the All-in-One lift. Depending on the work to be carried out, the following instructions must be observed when performing preventative and/or corrective maintenance on the All-in-One lift:

- Just as with any industrial installation, the lift must be regularly inspected and serviced. In general, it can be said that setting up and following a preventative maintenance programme (or adding one to an existing maintenance programme) benefits the operation, reliability and durability of the system at the lowest cost. It is recommended to record all measurements, maintenance work, emergencies, etc. in a logbook.
- The maintenance organization must be able to supply the necessary parts for every type of repair. It must also be able to provide skilled maintenance mechanics within a reasonable time for an inspection carried out by an authorized third party.
- Many machine-related accidents occur during maintenance or repair work. It is, therefore, important to observe the safety requirements. Three important safety points are given below. These points and the safety points given in chapter 2 must be observed.
- **Extremely important: Make sure the plug is removed from the plug socket. This prevents the All-in-One lift from unexpectedly receiving a voltage supply.**
- **Consider your own safety and the safety of others. Do not do anything that may be considered unsafe.**
- **If a safety feature must be removed to carry out the maintenance work, refit it immediately after the maintenance work has been completed. The All-in-One lift must not be turned on without the necessary safety features being in place.**

Preventative maintenance must be carried out regularly. The following must be carried out after every 1,000 operating hours, but at least once a year.

Inspection

Check, in particular, the following:

- Check the legibility of any warnings. Also check for damage and/or faults.
- Check all the electric cables and the control panel for damage.
- Thoroughly inspect all the parts for damage and faults. If in doubt, always replace the part or have it inspected by an expert.



Replace all the worn parts and the parts that are so damaged that they can no longer be used safely.

4.2 Scrapping



The machine may only be scrapped by skilled mechanics.

If the All-in-One lift must be scrapped, the rules for waste processing that are applicable at the time and at the location of the scrapping must be observed. The machine contains commonly known materials. Waste processing methods existed at the time of construction and the people charged with scrapping the machine are at risk.



5 Signs on the machine

5.1 Type plate

The type plate contains the following information:

EC marking: CE
Name: Prowise B.V.
Address: Luchthavenweg 1b 6021 PX Budel
Serial number: BW.LIFT.X
Date: 15-Dec-14

5.2 Warnings

See chapter 2, Safety.



6 Spare parts

Parts must be replaced efficiently **using original spare parts**. Prowise B.V. has a technical assembly file for each machine, which contains the details of the machine. Observe the following to ensure that your order is processed quickly and correctly.

State the following information:

- The serial number
- The part you wish to replace
- Where the part is located on the lift
- If applicable, a description of the fault
- The contact person at your company

Send your order to:

Prowise B.V.

Luchthavenweg 1b

6021 PX Budel

The Netherlands

Tel. +31 (0)495 497110

