

Prowise Touchscreen One G2 Manual



This manual applies to Prowise Touchscreens with the following product numbers:

- *PW.1.16065.0002*
- *PW.1.16075.0002*
- *PW.1.16086.0002*
- *PW.1.16098.0002*



Table of Contents

Unboxing the Prowise Touchscreen One G2	3
Attributes, Boxes and Cables	3
Product Overview	5
Installing the Prowise Touchscreen One G2	8
Installation Principles	8
Install it Yourself	8
Cabling	9
Installing the Antennas of Wi-Fi Module	10
OPS Module	11
Starting the Prowise Touchscreen One G2 for the first time	13
Switch On the Touchscreen	13
Finishing the Installation	14
Connecting to a Network	15
Daily Use of the Prowise Touchscreen One G2	18
The Correct Position	18
Operating the Touchscreen	18
Pens	20
Prowise Central	20
Remote Control	22
Sensors	26
Cleaning	26
Connecting Peripheral Equipment	28
HDMI	28
USB-C	
VGA	29
AV	29
Connecting the Prowise Touchscreen to Audio Equipment	30
Connecting Headphones	30
Connecting an Amplifier	30
Connecting Through the HDMI Port (ARC)	31
Microphone and Camera Passthrough	32
Connecting Through the HDMI Port (CEC)	32
Using an SD Card	33
Important Safety Instructions	34
Safety	34
Repairs	34
Environment	35
Recycling and Disposal	35

Unboxing the Prowise Touchscreen One G2

Attributes, Boxes and Cables

Your Prowise Touchscreen One G2 comes standard with several attributes. We would like to go through all the items with you.



1. Prowise Touchscreen One G2

2. Accessory box:

3. Remote Control
4. 1.5V AAA Batteries (2x)
5. Wi-Fi Antenna (2x)
6. ProWrite® Stylus Pen with Different Pen Sizes (2x)
7. Pen Tips (2 types)
8. Quick Start Guide & Safety Instructions
9. Screw for Camera
10. VESA Screws (M8)



WARNING! *Keep the packaging material, such as plastic foil, away from children. Improper use of packaging materials can create a choking hazard.*

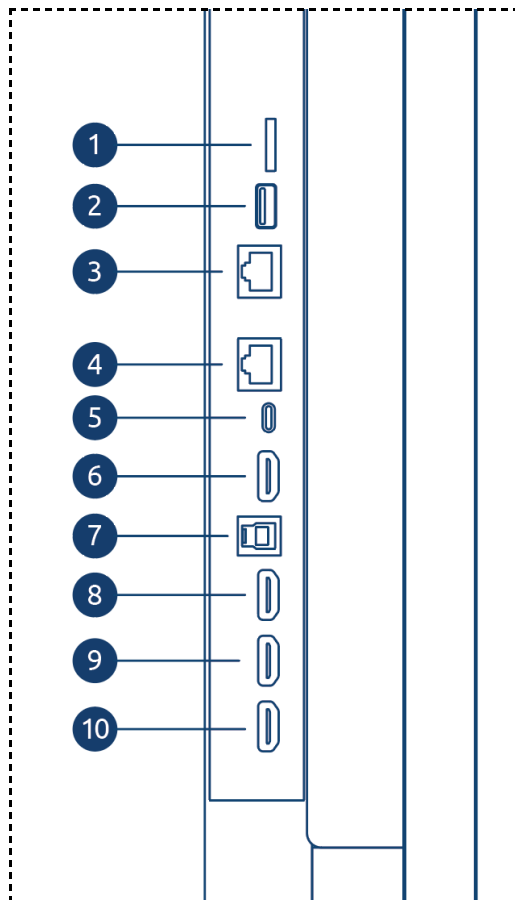


PLEASE NOTE! *Check whether the supplied package is complete and contact our colleagues at the Customer Service within five days after delivery, in case something is missing. Please provide the serial number and a copy of the invoice.*

Product Overview

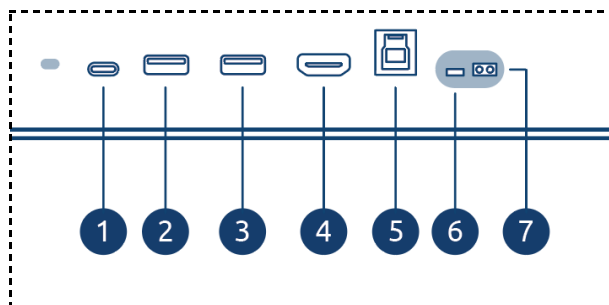
Your Prowise Touchscreen One G2 is equipped with a multitude of ports and sensors. We have listed all the options for you.





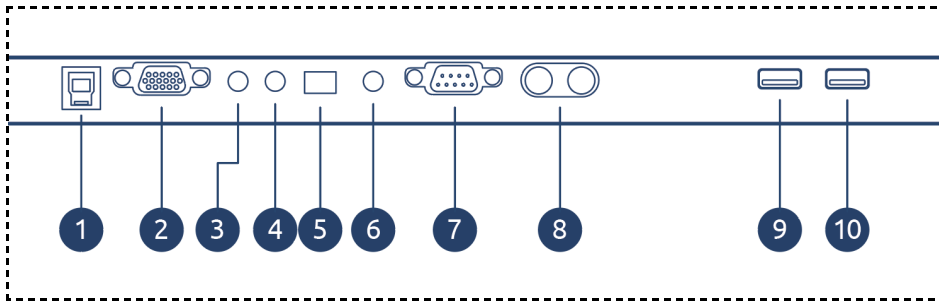
A. Ports (left-hand side)

1. Micro SD card reader
2. USB 3.2 Gen1 Type A
3. LAN IN Port (RJ45)
4. LAN OUT Port (RJ45)
5. USB Type C (DP1.2 + 65W power + USB 3.0 Touch + LAN) *for transmission of video, audio, data, Ethernet and power*
6. HDMI Output 2.1
7. USB 3.0 Type B (Touch Port)
8. HDMI 2.1 Type A (HDCP2.2 CEC & ARC)
9. HDMI 2.1 Type A (HDCP2.2 CEC)
10. HDMI 2.1 Type A (HDCP2.2 CEC)



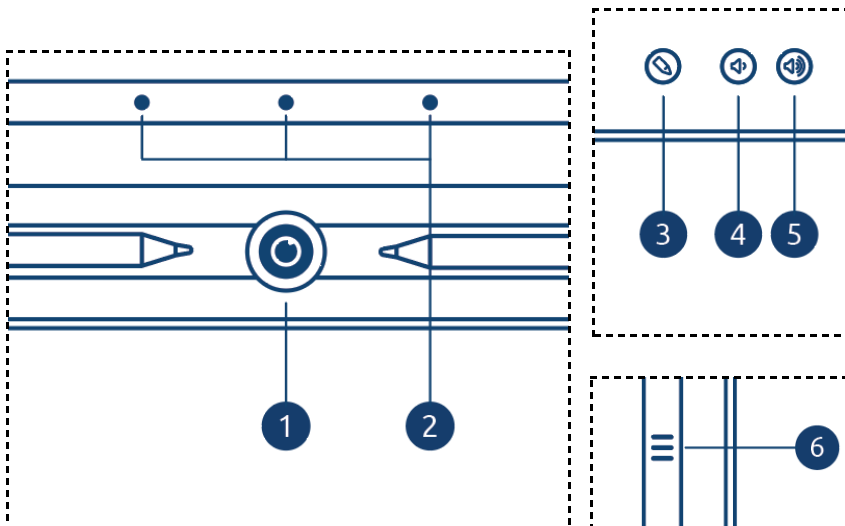
B. Ports (front)

1. USB Type C (DP1.2 + 15W power + USB 3.0 Touch +) *for transmission of video, audio, data, Ethernet and power*
2. USB 3.2 Gen1 Type A
3. USB 3.2 Gen1 Type A
4. HDMI 2.1 Type A (HDCP2.2 CEC)
5. USB 3.0 Type B (Touch Port)
6. Light sensor
7. Remote Control Receiver



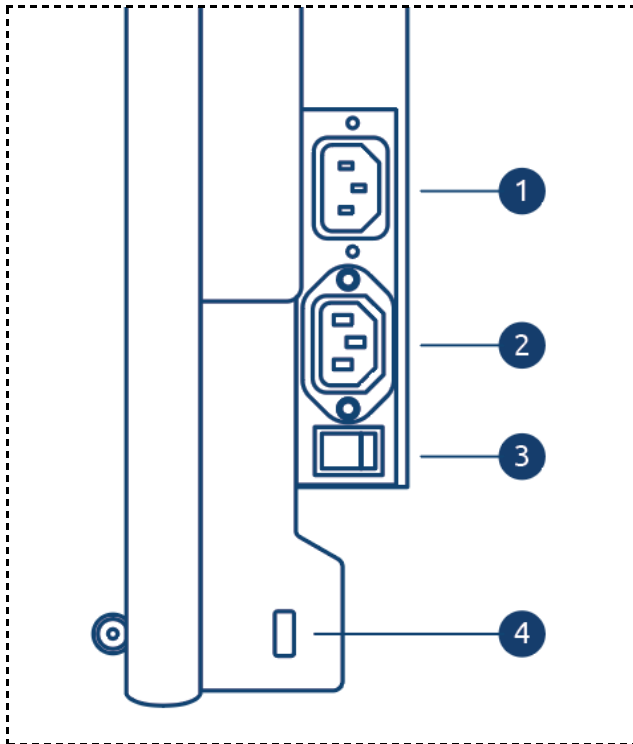
C. Ports (bottom)

1. USB 3.0 Type B (Touch Port)
2. VGA Input (1920x1080p @60Hz)
3. PC Audio Input
4. AV Video Input (567i)
5. S/PDIF Optical Digital Audio Output
6. Headphones
7. RS232 Serial Port
8. Analogue Audio Output RCA (L+R)
9. USB 2.0 Type A
10. USB 3.2 Gen1 Type A



D. Buttons (front)

1. Home Button
2. Adjustable On-glass Buttons
3. Annotation Button
4. Volume -
5. Volume +
6. On-glass Menu Button



E. AC Input and Main Power Switch (right side)

1. AC Input
2. AC Output
3. Main Power Switch
4. USB 3.2 Gen1 Type A

F. OPS Slot (left side)

Installing the Prowise Touchscreen One G2

Installation Principles

We recommend not to install the touchscreen yourself and to have it done by a third party. Let Prowise or a certified Prowise partner install or mount the touchscreen to avoid possible damage.

- Do not install or place the touchscreen on an unstable wall or floor, and make sure the wall or floor is strong enough to support the screen.
- Do not use the touchscreen in an industrial environment where it will frequently get exposed to vibrations, moisture and dust.
- Keep the touchscreen and all connected devices away from water and avoid dust and heat.
- Do not place the touchscreen close to equipment that generates heat.
- Make sure all the ventilation openings on the back of the touchscreen remain uncovered in order to let hot air escape, and do not build-in the touchscreen in a closed cupboard, for example.
- Only connect the touchscreen to a grounded electrical socket.

The Prowise Touchscreen can be used at an ambient temperature of 0 °C to +38 °C (32 °F to 100.4 °F) and a relative humidity of 10% to 90% (without condensation). When switched off, the touchscreen can be stored at a temperature from -20 °C to 60 °C (-4 °F to 140 °F) and relative humidity from 10% to 90% (without condensation).

Use the touchscreen up to a maximum of 18 hours per day, in order not to overload the system. Non-compliance with these instructions can lead to errors or damage to the touchscreen.

Install It Yourself

We do not recommend it, but if you want to install the screen yourself or let someone else do it, please follow the steps below:

- Never install the touchscreen alone.
- Use a certified Prowise wall bracket to install the Prowise Touchscreen on a wall.
- Use a Prowise VESA mount when installing the screen on a Prowise lift system.
- Please ensure the wall is strong enough to carry the weight of the touchscreen.
- Secure the screen to the wall bracket or lift using the lock screws.
- Connect the cables. Which cables you require depends on the external devices you use, or other external sources such as a lift system.

When using an OPS PC module, you need to make sure the module is placed correctly and is locked.

Install the PC module as described in the chapter 'Installing the OPS PC Module'.

- Make sure to only connect the power cable when the above elements have been connected, and only use the power cable supplied and certified by Prowise.



PLEASE NOTE! Prowise cannot be held responsible for any damage or injury caused by the incorrect installation of the touchscreen by third parties. Damage to the touchscreen caused by incorrect installation by third parties is not covered by the warranty. Always contact Prowise or a certified partner if you have any questions about the installation.



WARNING! Disconnect the power cable during a thunderstorm. For extra safety, we recommend using a surge protector. This helps prevent the touchscreen from sustaining damage as a result of power surges or lightning strikes.

Cabling

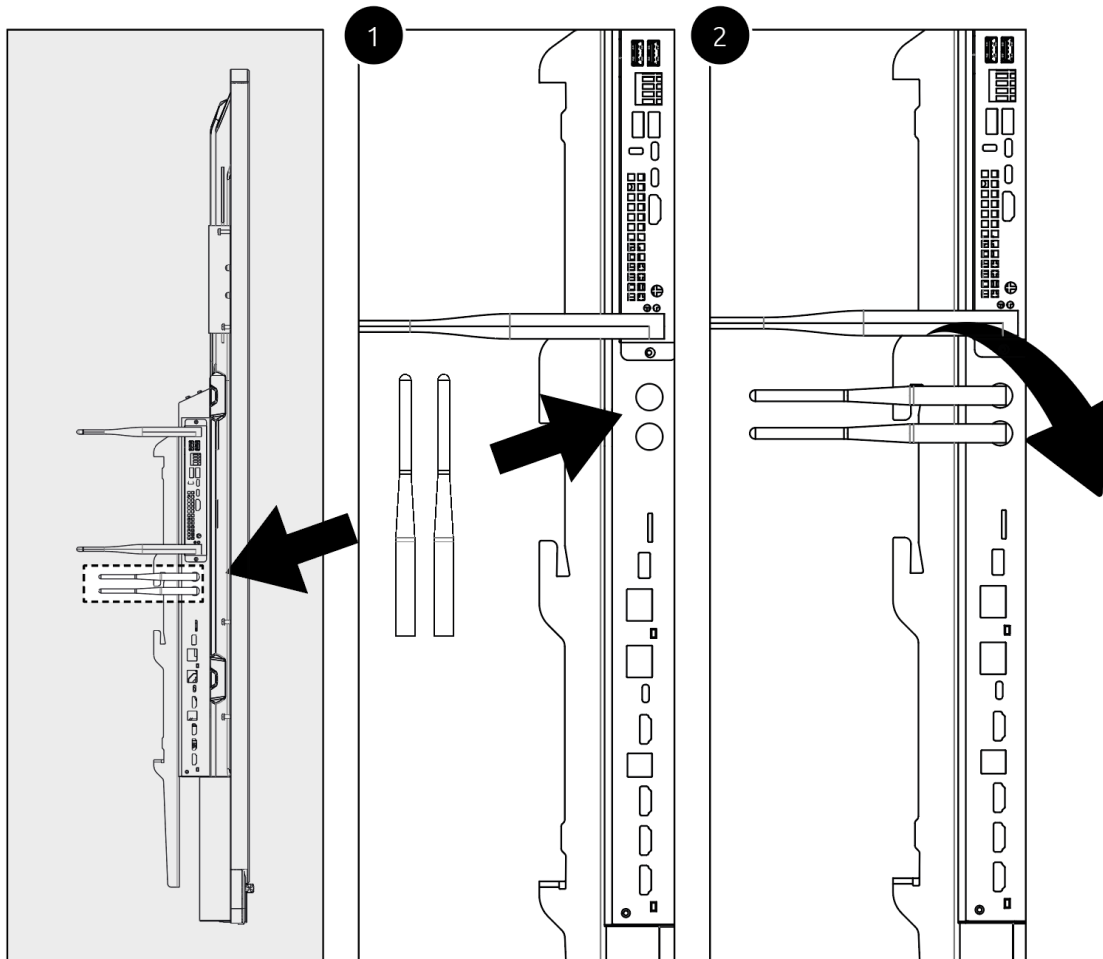
Only use the power cable supplied and certified by Prowise to connect the Prowise Touchscreen to a grounded outlet. The touchscreen must be placed close to the electrical outlet, and the electrical outlet should be easy to reach. Cables should not be laid in the walkway to avoid anyone stepping on them or tripping over them. To avoid damage to the cables, do not place any objects on the cables. Prevent electrical overloads when using a distributing plug, since this can lead to short circuiting. For extra safety, we recommend using a surge protector.



PLEASE NOTE! Only plug the power cable into grounded electrical outlets with AC 100-240V ~ 50/60Hz. If you are not sure about the power supply at the installation location, consult your energy company.

Installing the Antennas of Wi-Fi Modules

The Prowise Touchscreen is equipped with built-in Wi-Fi. Follow the steps below to successfully install the Wi-Fi antennas.



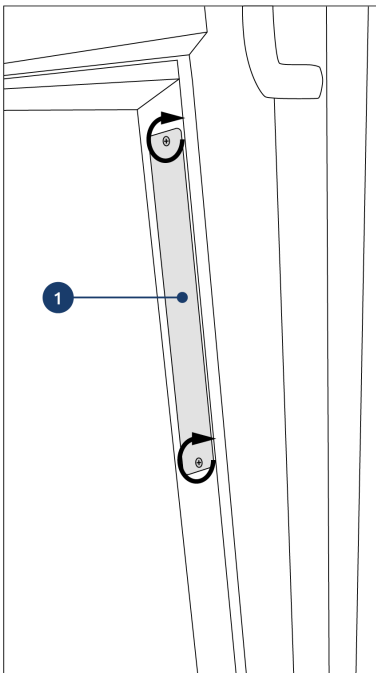
OPS Module



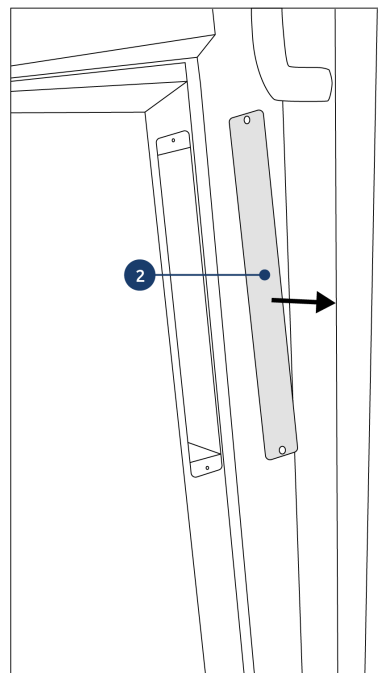
WARNING! Make sure the power cable of the Prowise Touchscreen Ten is disconnected before installing the module.



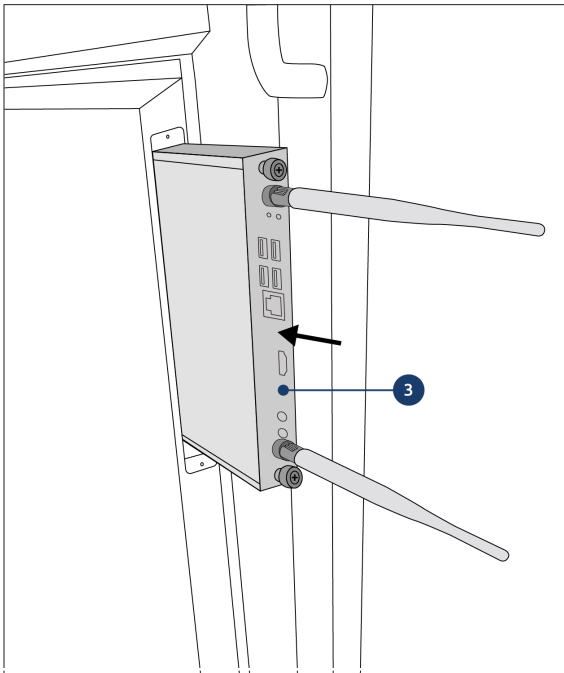
PLEASE NOTE! With the use of an OPS PC module, the power consumption will increase.



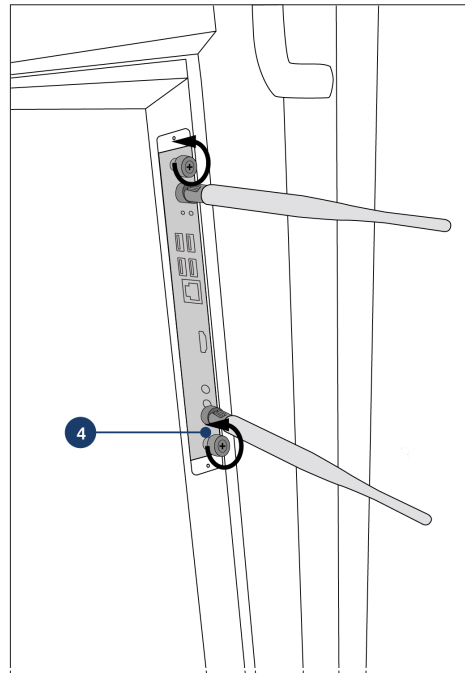
1. Unscrew the screws



2. Remove the cover plate



3. Insert the OPS PC module into the slot. Make sure the ventilation holes of the PC module are facing outward to allow the hot air to escape.



4. Tighten the lock screw of the PC module

Starting the Prowise Touchscreen One G2 for the first time

Switch On the Touchscreen

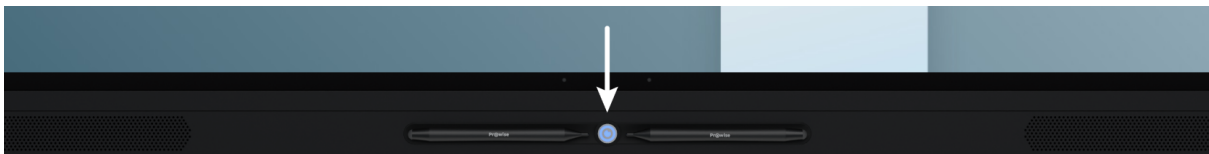
Turn ON

- Make sure the touchscreen is connected to the electrical outlet.
- Set the power switch at the bottom left-hand side of the touchscreen to ON.

There are a few different options to turn on the touchscreen, once activated with the power switch.

- Press the control button in the middle of the speaker bar of the touchscreen.
- Press the On/Off button on the supplied remote control
- Via RS232

The control button can be found in the middle of the speaker bar of the touchscreen.

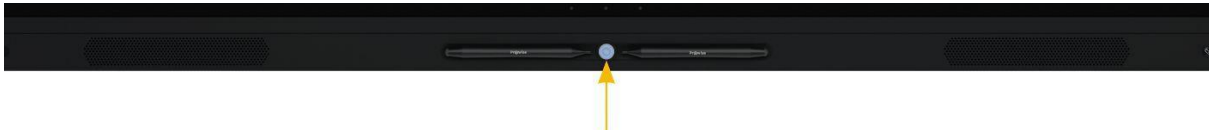


Control Button

- When the touchscreen is in standby mode, briefly press this button to turn the screen back on again.
- When the touchscreen is turned on, press this button longer to turn off the screen or to use the freeze function or the blank screen function.
- When the touchscreen is turned on, briefly press this button to open the Central menu.

The LED inside the control button indicates the touchscreen's status.

- The touchscreen is turned on: White
- Background lighting is disabled: White
- Sleep mode: Flashing red (every 2 seconds)
- Standby mode: Red



Turn Off

1. Press the control button in the middle of the speaker bar or the On/Off button on the remote control. It is also possible to switch off the screen via RS232.
2. The notification 'The system will shut down in 10 seconds' will appear.
3. Select 'Shut down' if you want to shut down the touchscreen immediately or wait 10 seconds. Press 'Cancel' to cancel the shut-down process.
4. Turn off the main power supply by using the power switch on the left-hand side of the touchscreen (see picture).

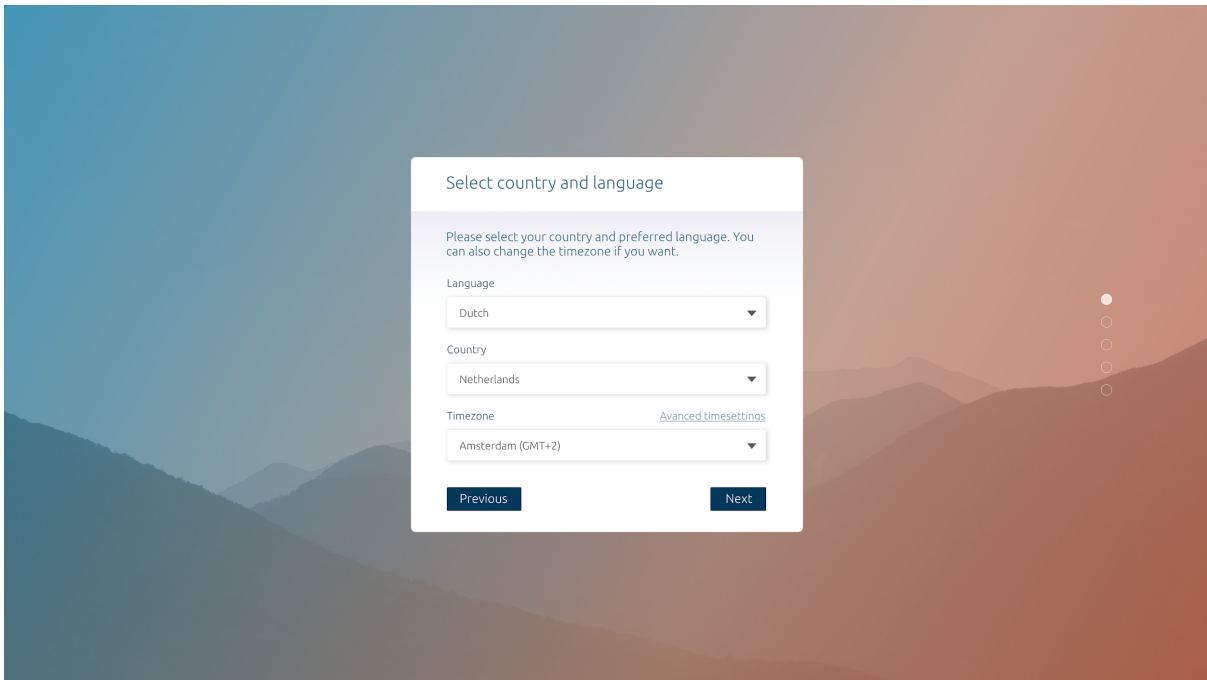
Shut down automatically

When no active input source has been detected in a specific input channel, the touchscreen will show a shutdown notification after 3 minutes. This notification will be automatically accepted by the system after 10 seconds and the touchscreen will shut down.

Finishing the Installation

The first time you start your touchscreen, a set-up guide will open to help you configure the most important settings. Follow the steps below to complete the set-up:

1. Make sure the touchscreen is connected to the electrical outlet.
2. Turn on the power switch.
3. Press the On/Off button (control button or remote control).
4. The touchscreen will turn on and the set-up guide will appear.
5. Follow the steps on the touchscreen to finish the installation process.
6. The welcome screen will appear and the Prowise Central environment will open right after that.
7. Now you can start working with your Prowise Touchscreen.

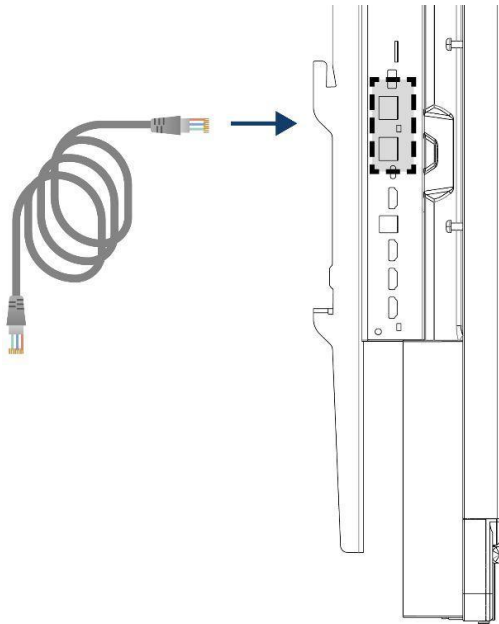


Connecting to a Network

You can also connect your touchscreen to the internet after you have worked through the set-up guide. Connect your touchscreen to a wireless Wi-Fi network or through a network cable. You can find the settings in the Central settings menu.

Ethernet

Connect the network cable to the LAN IN port of your touchscreen. The touchscreen will automatically detect the network and connect to it as soon as 'Ethernet' has been activated in the settings menu.



Follow the steps below to view the specifications of the network:

1. Open the Central menu by clicking on the hamburger icon in the quick menu.
2. Open the sidebar to access the settings menu
3. Select the sub-menu 'Connectivity'
4. Select 'Ethernet' by activating the switch
5. The network specifications will be displayed

You can easily daisy-chain the LAN connection by using the LAN OUT port of the screen. Remember that the LAN connection can only be looped through if the screen itself is connected through a LAN cable and is switched on. When a device is connected to the LAN OUT port, this device will have its own IP and MAC address.

Wi-Fi Connection

Follow the steps below to set up a connection to a Wi-Fi network:

1. Check if the Wi-Fi antennas are installed correctly
2. Open the Central menu by clicking the hamburger icon in the quick menu.
3. Open the sidebar to access the settings menu
4. Select the sub-menu 'Connectivity'
5. Select 'Wi-Fi'. The touchscreen will scan for available networks
6. Select the preferred network. Click the 'Advanced' button if you want to connect to an advanced network
7. Enter the network password. Click on the eye icon to display the characters of the password.
8. Press the 'Connect' button to connect to the wireless network
9. Use the 'Advanced' button in the Connectivity menu to open the advanced network settings.

Bluetooth

1. Open the Central menu by clicking the hamburger icon in the quick menu.
2. Open the sidebar to access the settings menu
3. Select the sub-menu 'Connectivity'
4. Click 'Bluetooth'
5. Activate the Bluetooth toggle
6. Select a Bluetooth device
7. Press 'Connect' to connect to a device using Bluetooth.


Daily Use of the Prowise Touchscreen One G2

The Correct Position

Always adjust the screen to the correct height before use. Avoid standing in a stooped or bent posture and ensure that the ends of the screen are located within arm's reach. The screen is in an optimal position if you can touch both the top and the bottom without bending down or reaching up high. By putting the screen in the correct position, you can prevent physical complaints caused by an incorrect posture. Avoid physical complaints caused by a poor posture.


Prowise recommends using the touchscreen together with a Prowise lift system to guarantee the correct height and position of the screen at all times.

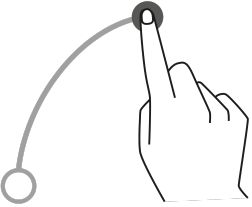

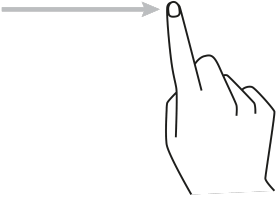
The Prowise lift systems are connected to the USB 2.0 port on the screen through a USB cable. This enables you to operate the lift via the screen and configure presets.

	<p>DANGER! Risk of injury. Do not stand on a chair, stool or other object to operate the touchscreen. This especially applies to children! This involves a risk of falling that could result in serious injury. Ensure that the screen is installed at the correct height or that the lift is set to the correct height when the screen is used.</p>
---	---

Operating the Touchscreen

The Prowise Touchscreen is fitted with 40 multi-touch points. This allows you to use the touchscreen with multiple people at once.

	<p>Click</p>	<p>To click a part of the screen, gently tap on the touchscreen using one finger.</p>
---	--------------	---

	<p>Drag</p>	<p>With one finger, tap on the item that you want to move and drag it to the new location without releasing your finger from the screen.</p>
	<p>Right-click with the mouse</p>	<p>With one finger, tap the screen and hold for a few seconds.</p>
	<p>Scroll</p>	<p>Slide one finger across the screen in the desired direction.</p>

The touchscreen can also be operated by using a (connected) computer mouse or the supplied remote control.

Pens

The Prowise Touchscreen One G2 is equipped with 2 pens. This enables you to write simultaneously with 2 different colours and to erase things with the palm of your hand in ProNote and Prowise Presenter, among other applications.

Prowise Central

Prowise Central is the smart operating system of your Prowise touchscreen.

Quick Menu

On the left-hand side of your Prowise Touchscreen, you will permanently see three icons, which we call the quick menu.



- ProNote icon: this opens ProNote, the integrated whiteboard software
- Home icon: this allows you to navigate to the Prowise Central home
- Hamburger icon: this opens the Prowise Central menu

Menu

You can open the Prowise Central menu in four different ways.

1. Press the hamburger icon on the left-hand side of the screen
2. Briefly press the control button in the middle, at the bottom of the touchscreen
3. Press the hamburger icon on the top right of the remote control

The Prowise Central menu consists of the following items:

- Active apps: see which apps are active on your touchscreen
- Screencasting: information on the screencasting protocols
- Input sources: switch between different input sources
- Volume: turn the volume up or down
- Lift control: higher or lower the connected lift and manage presets
- Settings: access the extended settings menu
- Off button: turn off the touchscreen

Settings

Click 'Settings' to view the extended settings menu. For more information, we would like to refer you to our Prowise Central manual. The settings menu contains the following items:

1. General

- Audio
- Display
- Input
- Remote Control
- Localisation
- Energy

- Security
 - Advanced
2. **Theme**
 3. **Connectivity**
 - Wi-Fi
 - LAN
 4. **About This Screen**
 5. **Legal**

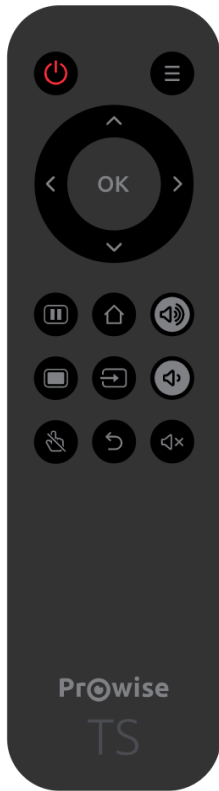
OTA Updates

OTA updates (over-the-air updates) ensure that you always have the latest software version installed on the touchscreen. The only thing you need for the OTA updates is an internet connection with Prowise Central. This can be a Wi-Fi or an Ethernet connection.










Check for available software updates:

- Click 'Settings'
- Click 'About This Screen'
- Click 'Check for Updates'
- Press 'Update' to execute the update
- The screen shuts down automatically to complete the update and can be turned on again, if so desired.

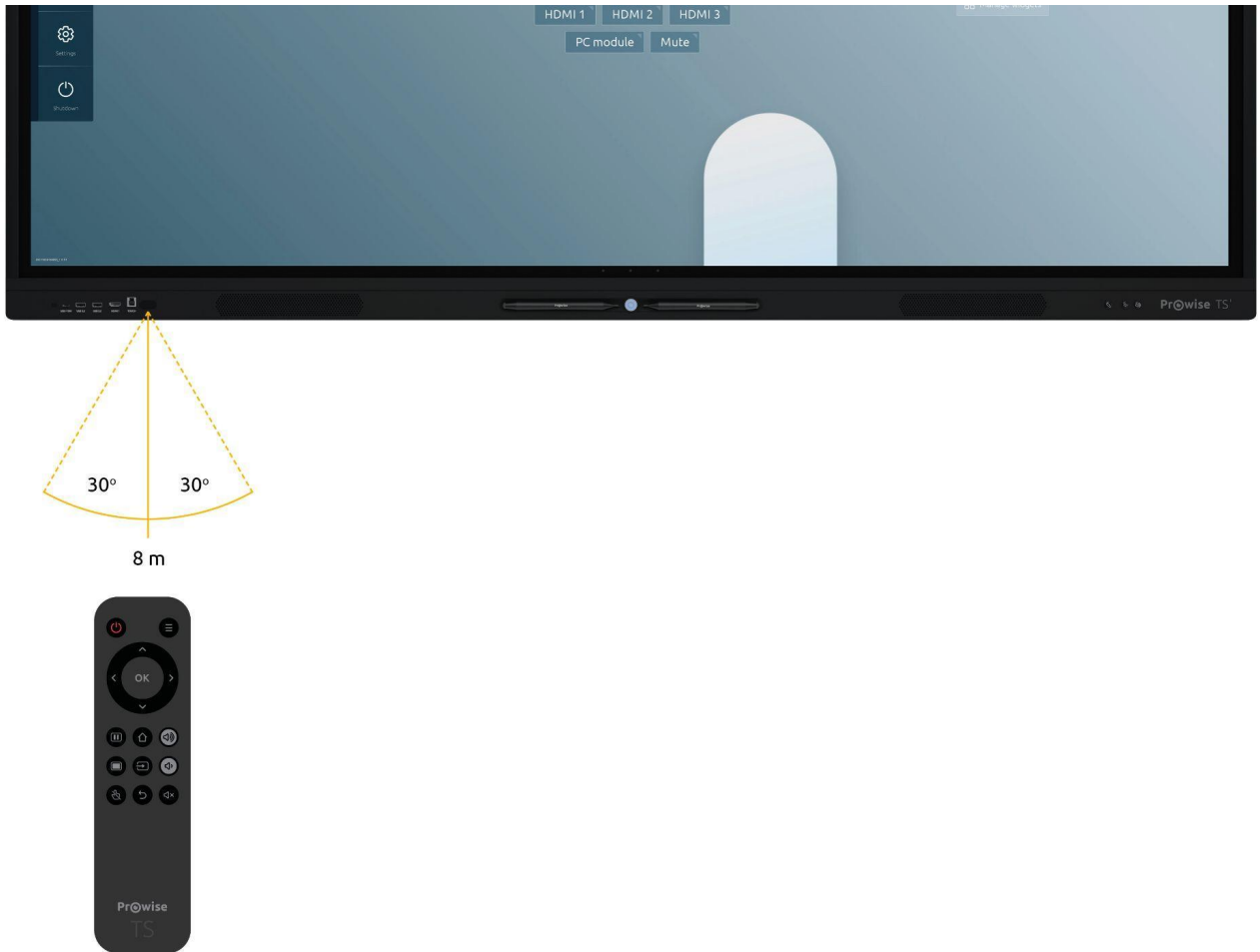
Remote Control



1		Press this button to turn the touchscreen on or off. Next, press the Enter button to confirm the Off command.
2		Opens the Prowise Central menu.
3		Navigation Button – Up
4		Navigation Button – Left
5		Navigation Button – Right
6		Navigation Button – Down
7	Ok	Confirm selection.

8		If an input other than Prowise Central home is active, this button can be used to return to Prowise Central home.
9		Freeze display.
10		Open the input source selection of Prowise Central.
11		Temporarily disables the screen. This is displayed in the form of a black screen. Programmes will remain active in the background.
12		Go back one step. If the Central menu is active, this closes the menu.
13		Enable or disable the touch function.
14		Increase the volume level.
15		Lower the volume level.
16		Enable or disable the internal speakers of the touchscreen.

Point the remote control at the infrared receiver of the touchscreen (bottom-left-hand side of the screen). The remote control has a range of approximately 8 metres.

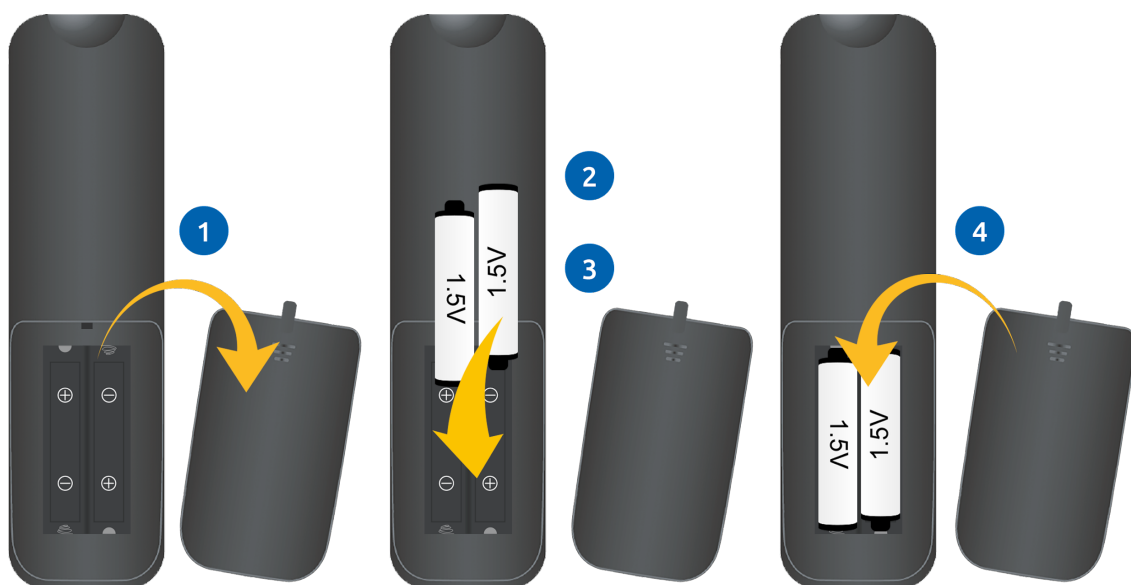


PLEASE NOTE! Any obstacles between the remote control and the receiver of the touchscreen can obstruct the signal and may cause the remote control to not work properly.

Replacing the Batteries of the Remote Control

Before using the remote control for the first time, you need to place the (1.5V AAA) batteries (supplied) into the remote control. Once the batteries are running out and the remote control is no longer working properly, you must change the batteries. You can do this as follows:

1. Carefully remove the cover plate on the back of the remote control.
2. Insert the two batteries (1.5V, AAA) into the remote control.
3. Place them in the battery compartment, with the positive and negative poles as indicated by the (+) and (-) signs .
4. Close the battery compartment again by carefully replacing the cover plate.



WARNING! Remove any leaking batteries as quickly as possible from the remote control. Thoroughly wash your hands afterwards. The leaking chemicals are toxic and must never come into contact with the mouth, skin or eyes.



PLEASE NOTE! Only use 1.5 V AAA batteries. Insert them as shown in the instructions on the remote control.

Sensors

Various sensors are implemented in the top left-hand corner of the screen.

IR Sensor

The remote control's infrared sensor is located in the lower left corner of the screen. Point the remote control towards this corner to make sure the signal is received correctly.

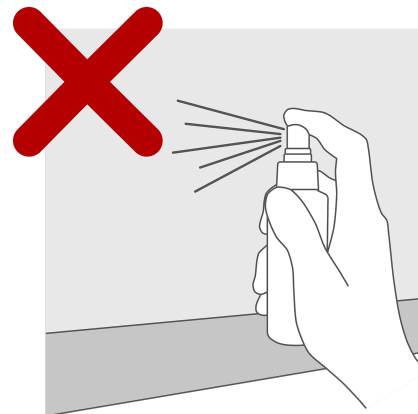
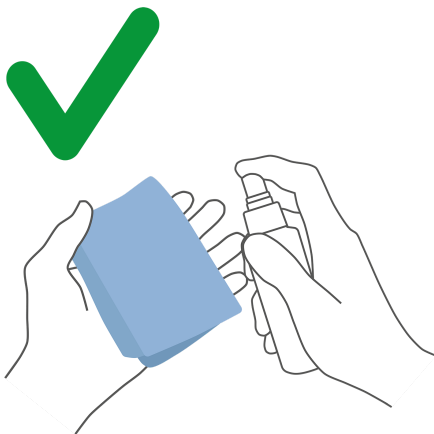
Light Sensor

The light sensor that determines the brightness of the screen (if enabled) is located at the bottom left. The brightness of the screen can be adjusted by means of this light intensity.

Cleaning

Clean the screen with a dry, lint-free microfibre cloth. Ensure this cloth is free of impurities. If you wish to use a cleaning agent, always use a cleaning agent recommended by Prowise. Do not use any aggressive cleansers as these can damage the screen. Make sure the cleaning agent has an alkaline pH value between 7 and 9, otherwise the glass pane or the screen may be damaged. Never use a cleaning agent with a pH value higher than 9.

Never spray a cleanser directly onto the screen, apply it to a cloth first. The cloth may be slightly damp, but not wet, as this can cause damage to the screen.



Gently wipe down the screen with the cloth. For the best result, clean the screen by making gentle, circular movements without applying too much pressure. Never use an abrasive cleanser.



WARNING! In the unlikely event that the touchscreen gets wet, do not turn the power on and do not plug the power cable into the electrical outlet. This can cause an electric shock or short circuiting. If the touchscreen gets wet when it is turned on, immediately turn off the power supply and disconnect the power cable of the touchscreen from the electrical outlet.



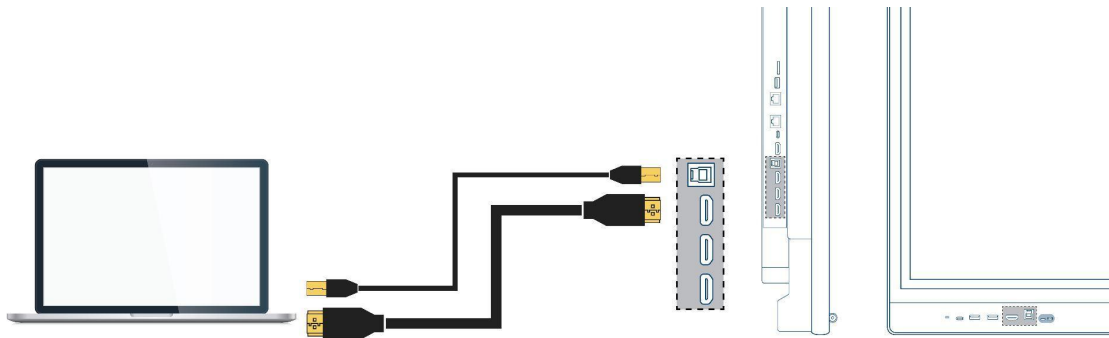
PLEASE NOTE! *Unplug the power cord before cleaning the screen.*



PLEASE NOTE! *Turn the touchscreen off completely when moving it by turning off the power button and unplugging the power cable from the screen.*

Connecting Peripheral Equipment

HDMI



In order to make sure your device, such as a laptop, desktop PC or tablet, can also be operated through touch on the touchscreen, a USB Touch cable needs to be connected as well (USB-B to USB-A), apart from the wired connection for video and audio. The advantage is that you will not need to walk to your device every time to operate it, and can teach directly from the touchscreen. The USB Touch port is close to the HDMI ports. Make sure to use the correct USB Touch Port when you connect a device.

1. Connect an HDMI cable to the HDMI port of the external PC and to the HDMI input port of the touchscreen.
2. Connect the USB touch cable to the USB Touch Port of the touchscreen and to a USB port on the external PC.
3. Once all the cables have been connected, switch on the touchscreen and the external PC.
4. Then, go to the Central menu and navigate to 'Input', and select the correct HDMI source.



PLEASE NOTE! We recommend using a cable that is as short as possible for the best connection quality and is no longer than 5 metres.

USB-C

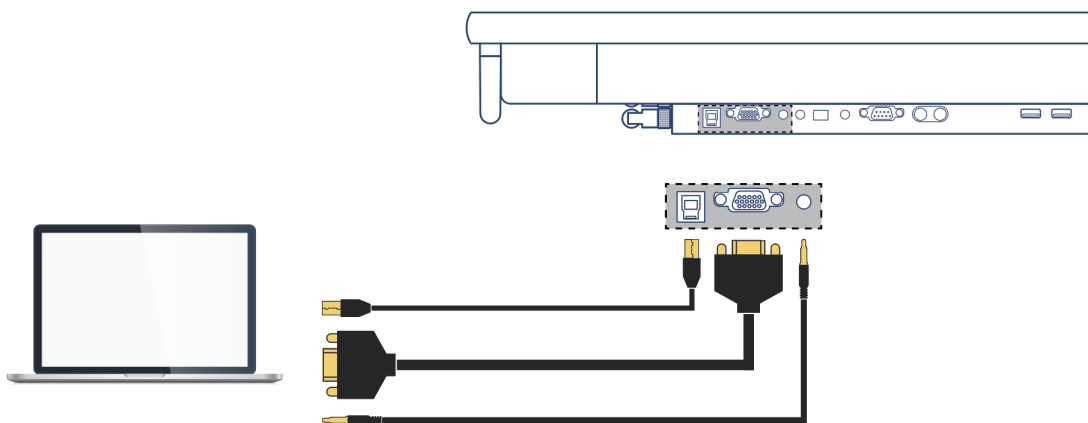
The fully functional USB-C port on the front of the screen has multiple functionalities. This port can be used for visuals, sounds, touch, data and transferring a 15W electric current. The USB-C port on the side of the screen also has LAN support and can support a 65W electric current, enough to charge your laptop. Connect your device to this port with a USB-C cable to get started straight away with only one cable. The USB-C port supports the following protocols:

- USB 3.0
- Video (DP 1.2, 3840x2160 @ 60Hz)
- Audio
- Touch (USB 3.0)
- Power (65W)
- LAN (100 Mb/s)

Please note! Make sure the USB-C cable is of good quality and not too long, to ensure a good connection.

Please note: transferring data through the USB-C port will only work in Central. This is because this port does not forward to other input sources. (Android only for data: Max. supported storage 16TB)

VGA



You can also connect an external device to the Prowise Touchscreen with a VGA cable. Please note: this only enables a video connection. The audio signal is provided by plugging in a 3.5mm jack (stereo) into the PC's Audio In port and Touch via the accompanying USB Touch port.

1. Connect a VGA cable to the VGA port of the external PC and the VGA In port of the touchscreen.
2. Next, plug in a 3.5 mm jack into the PC Audio In port.
3. If you want to support the touch function too, you also need to connect a USB touch cable (USB-B to USB-A).
4. Once all the cables are connected, switch on the touchscreen and the external device.
5. Then, navigate to 'Input' in the Central menu and select the VGA source.

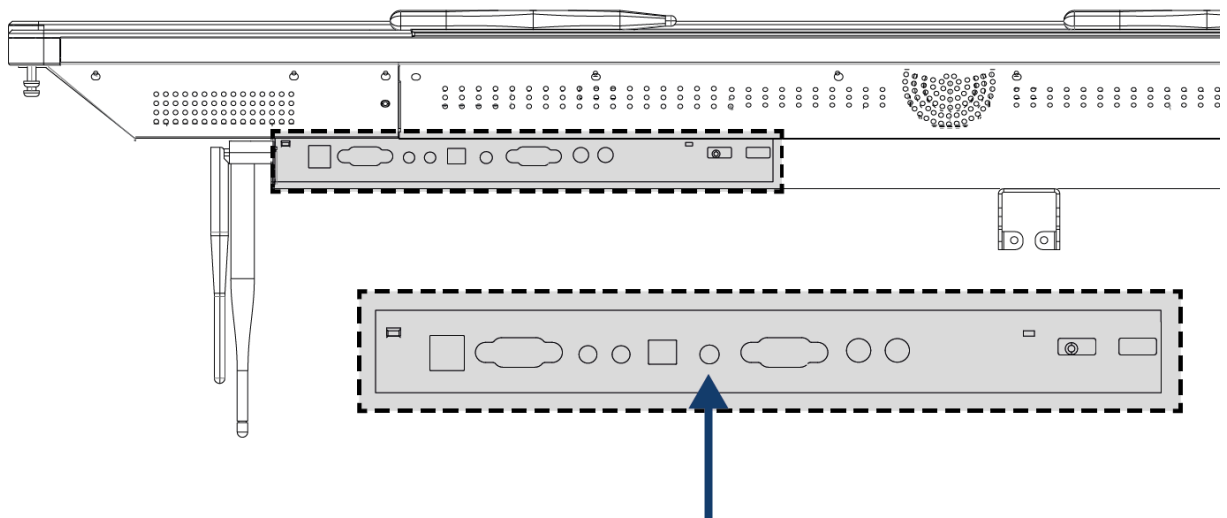
AV

The composite video signal (CVBS) is a signal that transmits a combination of both video and audio. You can transmit the composite video signal to the Prowise Touchscreen through a 3.5mm jack plug (Male with 3 rings, Audio L, Audio R and Video).

Connecting the Prowise Touchscreen to Audio Equipment

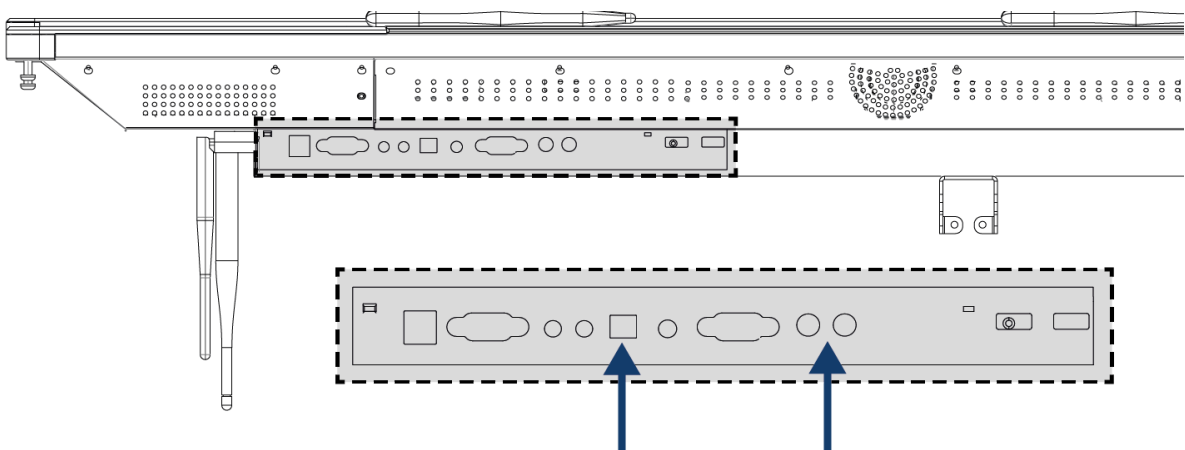
Connecting Headphones

Connect headphones by plugging them into the analogue audio output for 'headphones'. Use the touchscreen's volume control to adjust the headphones volume.



Connecting an Amplifier

Connect an amplifier by plugging it into the analogue audio output or the digital optical S/PDIF port. Use the amplifier's volume control to adjust the amplifier's volume.

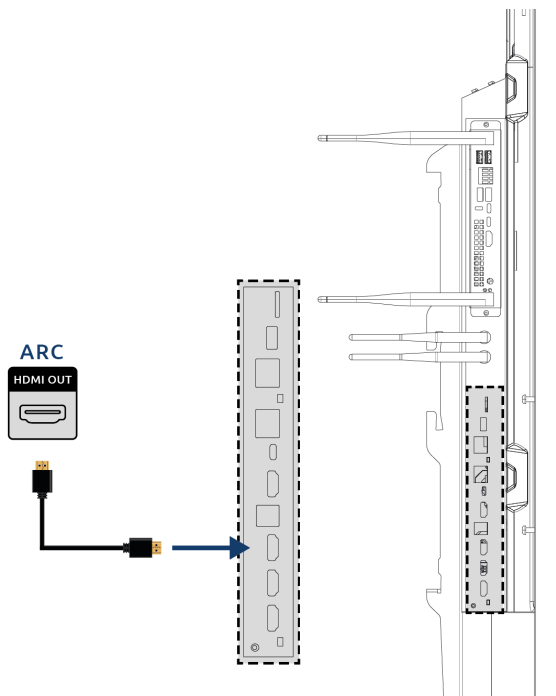




PLEASE NOTE! The audio outputs (the analogue line output and the digital S/PDIF audio port) are always active. If you connect an external audio device to the touchscreen and only wish to use this audio device, press the 'Mute' button on the remote control. You can also turn off the touchscreen's internal speakers via the Central menu.

Connecting Through the HDMI Port (ARC)

It is possible to connect an external audio device using an ARC (Audio Return Channel) connection. This allows the external audio device to be controlled through the touchscreen. To an audio device through ARC, insert one end of an HDMI cable into the touchscreen's HDMI port with ARC support and the other end into the external audio device's HDMI port.



Microphone and Camera Passthrough

Microphone and camera passthrough allows you to redirect your microphone and camera input on the touchscreen to your personal device. This enables you to easily take part in conversations in Skype, Teams, Zoom, Google Meet, etc.

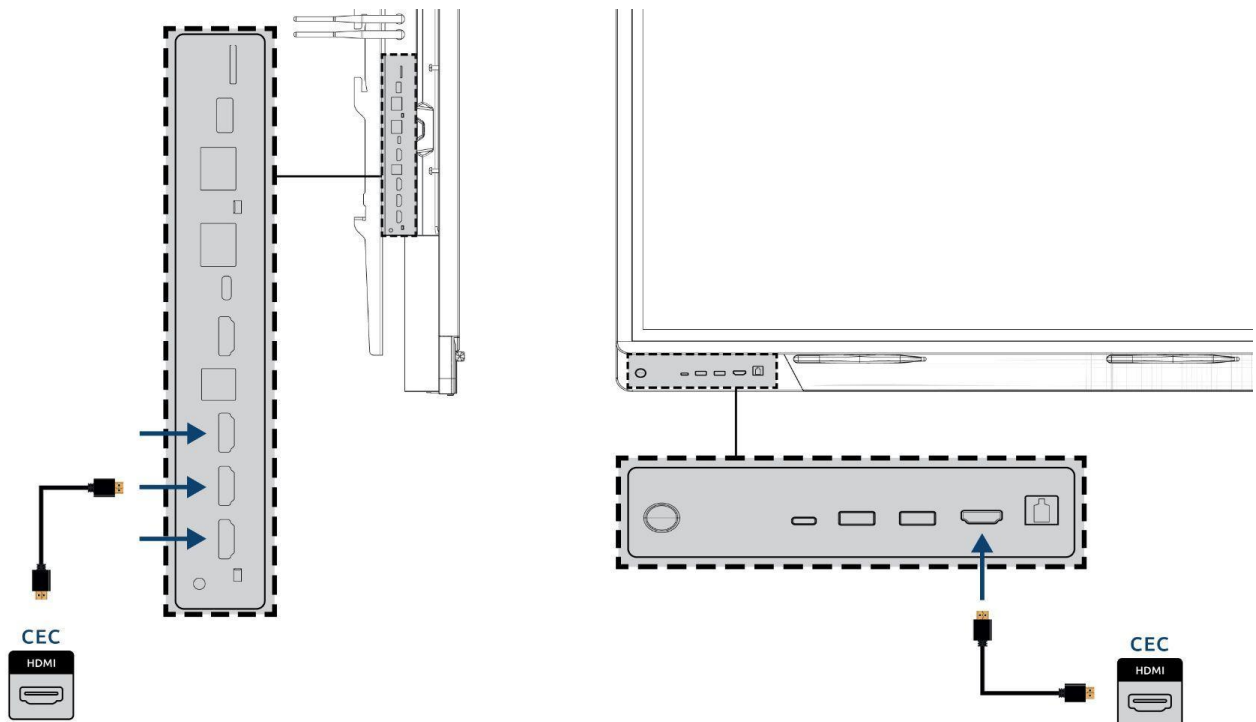
Technical

- Your personal device needs to be connected to the USB Touch or USB-C port.
- Make sure the USB cable is relatively short; we recommend a length of 3 to 5 metres.

Connecting Through the HDMI Port (CEC)

CEC (Consumer Electronics Control) is a function that works through HDMI. The devices that are connected to each other in this way communicate through CEC. This allows these devices to be controlled with the touchscreen's remote control.

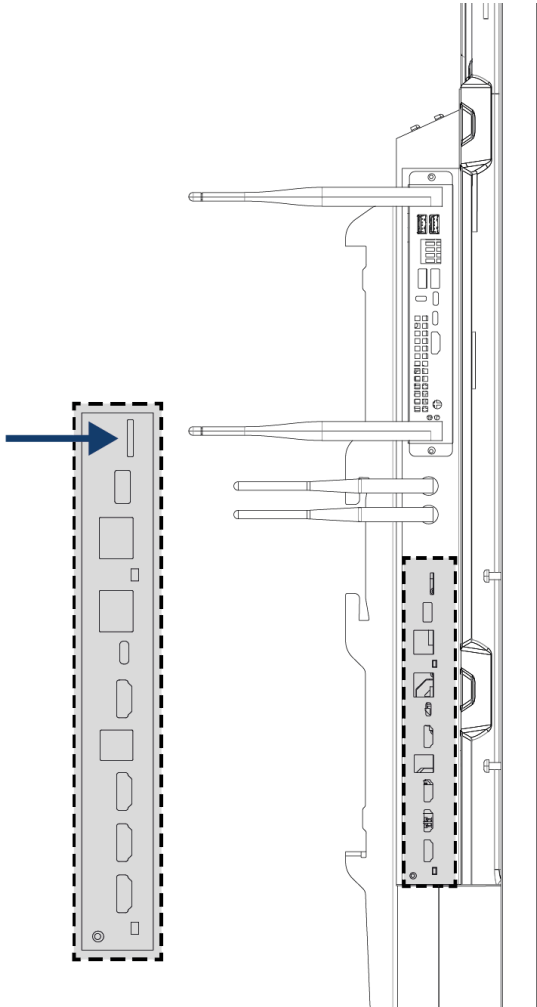
Connect a device through CEC by plugging an HDMI cable into the touchscreen's HDMI port.



Using an SD Card

If you want to expand the storage in the Central environment, insert an SD card into the SD slot. This is also a simple way of setting up files that are not online on your screen.

Please note! The SD card slot supports SD cards up to 128GB (FAT32).



Important Safety Instructions



WARNING! Please read this user manual and the safety instructions (separate document) carefully before using the Prowise Touchscreen. Adhere to the warnings on the device, in the user manual and in the safety instructions. Always keep the safety instructions and the user manual within reach.

If the device is used for purposes other than those stated in these safety requirements and the user manual, Prowise B.V. is in no way liable for potential material damage or physical injury. Do not make changes to the device without written permission from Prowise. Improper use will void the warranty.

Safety

- Never open the housing of the touchscreen! You can get an electric shock or cause short circuiting.
- Do not use the touchscreen during thunderstorms and unplug the power cable to avoid damage due to a lightning strike.
- Make sure your touchscreen does not get wet! This could lead to short circuiting and danger of electrocution. Do not install the device close to water and do not place objects containing liquid on or next to it.
- A high audio volume level can cause permanent hearing damage. If the device is used at high volume for an extended period of time, it can cause hearing damage to the listener.
- Only use the components and accessories supplied by Prowise.
- Always turn off the touchscreen and unplug it from the electrical outlet when changing a module.
- Do not insert objects into the openings of the touchscreen that are not intended for this purpose. This can cause short circuiting or even fire.

Repairs

Never repair the touchscreen yourself! Repairs carried out by third parties or unauthorised persons will void the warranty.



WARNING! Warning for electrical parts! Never open the housing of the touchscreen! You can get an electrical shock, cause short circuiting or even a fire. This can cause injuries or damage to yourself and/or the touchscreen.

Always contact Prowise or a certified partner in case of a defect, to avoid damage. Contact information can be found at: www.prowise.com

Environment

- Unplug the power cable if the screen will not be used for an extended period of time.
- The power consumption in standby mode is less than 0.5W.
- The Prowise Touchscreen One G2 is ENERGY STAR certified.
- When the touchscreen is no longer usable, it can be disposed of at a designated collection point.



PLEASE NOTE! When WOL (wake on LAN) and WOS (wake on source) are enabled, the energy consumption in standby mode increases!

Recycling and Disposal

If you have any questions about the correct disposal of your touchscreen, please contact Prowise or a certified partner.



Packaging

The device is packaged to prevent transport damage. The packaging is made of resources that can be reused or recycled.



Device

Do not dispose of the device together with the household waste at the end of its lifespan. Ask about the possibilities for an environmentally friendly and responsible disposal method; Prowise operates in accordance with the WEEE guidelines.



Batteries

Depleted or defective batteries do not belong in the household waste. Dispose of them at a collection point for empty batteries. The remote control uses 1.5V AAA batteries.