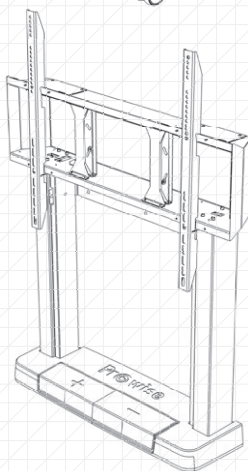
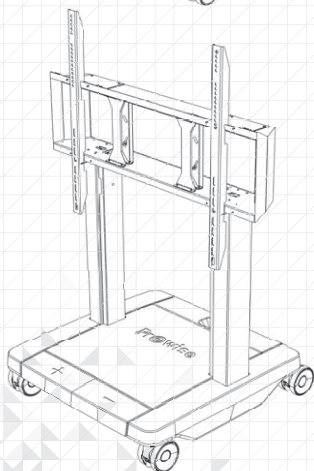
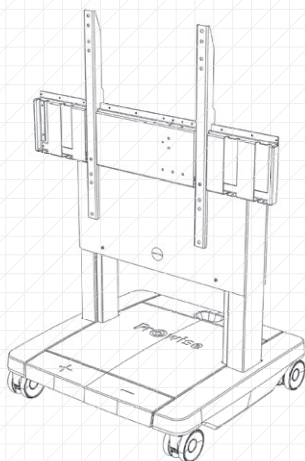
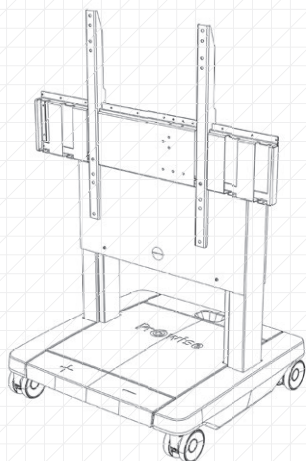


Safety Guide

Prowise iPro Lift Systems

iPro Mobile Lift, iPro Tilt Lift, iPro Toddler Lift, iPro Wall Lift



Prowise

www.prowise.com

PW.1.21003.0002

PW.1.21005.0003

PW.1.21007.0002

PW.1.21002.0002

Table of contents

1. About these Instructions	4
1.1. Symbols and Keywords used in these Instructions	4
1.2. Proper Use	4
1.3. EG Declaration of Conformity	5
2. Safety Instructions	6
2.1. Important safety Instructions	6
2.2. Scope of Delivery	8
2.3. Installation	9
2.4. Ambient Conditions	9
2.5. Ergonomics	10
2.6. Connecting	10
2.7. Cables	11
2.8. Intended Use	11
2.9. Moving the lift	12
2.10. Maintenance	13
3. Repair	13
3.1. Replacement of parts	14
4. Environment	15
4.1. Recycling and disposal	15

1. About these Instructions

Read the safety guide carefully before using the Prowise iPro lift. Follow the warnings stated on the device, the safety guide and in the user manual. Always keep this safety guide and the user manual within reach.

1.1. Symbols and Keywords used in these Instructions



HAZARD WARNING!

Warning for possible (serious) injury.



WARNING!

Warning for electrified parts.



CAUTION!

Follow these instructions to avoid material damage.



PLEASE NOTE!

Information and advice about the use of the product.



READ THE MANUAL!

This prevents improper use of the appliance

1.2. Proper Use

Prowise iPro lifts are intended to easily adapt the height and, if applicable, the angle of tilt of the Prowise touchscreen. The iPro Mobile, Toddler and Tilt Lift are also mobile systems. If it is used for purposes other than those described in these safety instructions or the user manual, Prowise B.V. will not bear any responsibility or liability in case of material damage and/or injury. Do not make changes to the device without written consent of Prowise. Improper use will void the warranty.

1.3. EG Declaration of Conformity

Prowise B.V.
Luchthavenweg 1b
6021 PX Budel
The Netherlands

Hereby declares entirely on its own responsibility that the product:

- Prowise iPro Toddler Lift with product number PW.1.21007.0002
- Prowise iPro Mobile Lift with product number PW.1.21003.0002
- Prowise iPro Tilt Lift with product number PW.1.21005.0003
- Prowise iPro Wall Lift with product number PW.1.21002.0002

To which this declaration applies, satisfies the fundamental health and safety requirements of the following European directives:

- Machinery directive 2006/42/EG
- Low voltage directive 2014/35/EU
- EMC directive 2014/30/EU
- RoHS directive 2011/65/EU

The following harmonised standards are applied:

NEN-EN-ISO 12100
NEN-EN-349
NEN-EN-953
NEN-EN-ISO 13857
NEN-EN 60204-1



2. Safety Instructions

2.1. Important safety instructions



CAUTION!

Follow the safety instructions below:

- Prowise B.V. is not liable for injury, damage and/or excessive wear due to incorrect use or maintenance of, or modifications to, the device.
- Only use components and accessories supplied by Prowise.
- Repairs by third parties are not permitted.
- Do not use the device in extreme weather conditions, such as heat, cold or moist environments.
- Do not use this device in a potentially explosive atmosphere.



WARNING!

Warning for electrified parts

- Never open the housing of the controller. This can lead to an electrical shock, short circuit or even start a fire, which can cause injuries or damage to the iPro lift.
- Do not insert objects into the openings of the lift that have no place there. This can lead to short-circuiting or even cause a fire hazard.
- Make sure the iPro lift is not connected to the mains during a thunderstorm to prevent damage due to a lightning strike. We advise you to use an overvoltage protection to protect the lift and the connected screen from damage due to voltage peaks or a lightning strike.
- Make sure the lift does not get wet! This could lead to short circuiting and an electrocution hazard. Do not install the device close to water and do not place objects containing liquid on or next to it.
- The plugs must never come into contact with water. If this does happen, switch off and unplug the device immediately. The plugs must be completely dry before you can use the device again.
- Never touch the plugs with wet hands.
- Ensure that you do not overload the electrical outlet, for example by using a multi-outlet adapter. Overloading can result in short circuiting.

- Switch off the main power supply immediately, unplug the lift from the electrical outlet, and contact our service desk if:
 - The power cable or plug is damaged. Only replace defective cables with original parts. Never repair damaged cables and plugs yourself; replace them.
 - If the appliance is damaged or should substances flow into the device.
 - The device emits unusual noises or odours. This could be the result of an internal short circuit.



WARNING!

Warning: Potential (serious) injury

- Do not stand on a chair or a stool or anything else to operate the lift, children in particular! You risk falling down, with potential serious injury as a result.
- Never let children play with the lift; danger lurks in that a child can become entrapped while the lift is being adjusted in height or in angle of tilt.
- Never let children hang onto the screen. Not even when the screen is being used as a touch table.
- To mitigate the risk of stumbling, ensure that the connecting cable is not obstructing the walkway.
- Do not touch the moving parts of the lift while it is being adjusted in height or in angle of tilt. This can cause entrapment with potential serious injury as a result.
- Only move the lift over a stable, flat surface.
- Caution! Ensure there are no objects or people in the lift's walkway while it is being moved.
- Follow the assembly instructions as described in the Quick Start Guide or Assembly Guide.



CAUTION!

- Always install the lift in the vicinity of a power outlet. This power outlet must be easily accessible when the lift is in use.
- Only connect the lift to a grounded power outlet.

- Do not place objects on the user control panel or the footplate.
- Only use the connecting cable supplied to prevent damage to the appliance.
- Ensure that the lift is not exposed to substantial shocks, vibrations or any other impact. This can damage the appliance and the touchscreen mounted upon it.
- Prevent damage by ensuring the lift is not impacted by sharp or hard objects.
- The maximum size of the touchscreen to be mounted varies from lift to lift:
 - A touchscreen with a maximum screen size of 65 inches can be mounted on the Prowise iPro Tilt & Toddler lift.
 - A touchscreen with a maximum screen size of 86 inches can be mounted on the Prowise iPro Wall & Mobile lift.
- The Prowise iPro lift systems must be installed by qualified Prowise staff or by an accredited partner.



Read the user manual!

It is important to review the manual in detail so that the lift can be used in a proper manner and damage to the lift or injury caused by improper use can be avoided.

2.2. Scope of Delivery

Please check that the delivery is complete and if it is incomplete, contact our service desk within five (5) days of delivery. The contact information of our service desk can be found on our website, www.prowise.com. Please provide the serial number and have a copy of the invoice ready.

The following components are part of the delivery package:

- Prowise iPro lift system
- Vesa brackets
- Assembly set including:
 - Quick Start Guide or Assembly Guide
 - Safety Guide
 - Assembly and mounting material
- Connecting cable



HAZARD WARNING!

Keep the packaging material, such as plastic foil, away from children.
Improper use of packaging material can result in a suffocation hazard.

2.3. Installation



PLEASE NOTE!

The installation of the lift and the assembly of the touchscreen on the Prowise lift should be executed by certified personnel of Prowise. Please be aware if damage is caused to the lift or touchscreen due to incorrect assembly by third parties, the warranty will be void.

- The Prowise iPro lift must be installed by Prowise or a certified partner according to the instructions of the Quick Start Guide of this lift.
- Make sure you are using an earthed wall socket with a voltage of 6A.
- Only plug the power cable into grounded electrical outlets with AC 100-240V ~50/60Hz. If you are not sure about the power supply at the installation location, consult your energy company.
- Only use the connection cable and plug supplied.
- Avoid contaminated environments and vibrations.
- Do not place objects underneath the lift, as the movement of the lift can be obstructed by this. The lift is equipped with anti-collision sensors, which will stop moving as soon as the lift meets resistance. This prevents damage to the lift and the touchscreen installed on it.
- Only place the lift on a stable and flat surface.
- Do not install and use the appliance in the vicinity of water and objects that contain liquid substances. Ensure the connecting cable does not lie in the walkway to prevent the risk of stumbling over it.

2.4. Ambient Conditions

- The lift can be used at an ambient temperature of +10°C to +40°C (50°F to 104°F) and a relative humidity of 10% - 90% (no condensation).
- When switched off, the lift can be stored at an ambient temperature between -10°C and +70°C (14°F to 158°F) and a relative humidity of 10% - 90% (no condensation).

- Unplug the lift during thunderstorms. We advise to use an overvoltage protection device to protect the lift against damage due to voltage peaks or a lightning strike to the electrical mains supply.

2.5. Ergonomics

Always adjust the screen to the correct height before use. Avoid standing in a stooped or bent posture and ensure that the ends of the screen are located within arm's reach.

In the optimal position of the screen, you can touch both the top and bottom of the screen without needing to stoop or reach far up. By positioning the screen properly, you can avoid physical problems that could result from an incorrect work posture.

Only move the lift with at least two persons and never carry the lift up a staircase. Use a ramp to prevent physical complaints and injuries.

2.6. Connecting

Follow the instructions below to connect the lift safely:



WARNING!

Do not use damaged power cables or plugs. Only replace defective power cables with original parts. Never repair damaged cables and plugs yourself.

- The lift must be placed close to an electrical outlet and the electrical outlet must be easy to reach.
- Disconnect the power from the the lift by switching off the power switch and removing the power cable plug from the electrical outlet.
- Only plug the power cable into grounded electrical outlets with AC 100-240V ~50/60Hz. If you are not sure about the power supply at the installation location, consult your energy company.
- Only use the power cable supplied.
- We advise you to use an overvoltage protection device to protect the touchscreen against damage due to voltage peaks or a lightning strike to the electrical mains supply.

2.7. Cables

- Do not lay cables in a walkway to avoid anyone stepping on them or tripping over them.
- Do not place any objects on the cables to avoid damaging them.
- Do not replace the cables supplied with other cables. Only use the cables supplied by Prowise.

2.8. Intended Use

In addition to these safety instructions, read the user manual carefully to ensure proper operation of the lift. Any use other than described in the user manual and these safety instructions is considered improper use and may lead to product or personal injury. Prowise B.V. is not liable for material damage and/or personal injury caused by improper use. In case of improper use, the warranty will be void.



CAUTION!

Please do not allow children to operate the lift while unattended.



HAZARD WARNING!

The operating range of the appliance must be free of obstacles. Ensure that no objects can find their way under the lift and that no body parts can become entrapped between the lift or the screen and the object.

- The lift is not intended for play.
- The operational cycle is 1 minute per 20 minutes at full load.
- The maximum load of the touchscreen to be assembled varies from lift to lift:
 - A touchscreen with a maximum weight of 75 kg (165 lbs) can be mounted on the Prowise iPro Tilt & Toddler lift.
 - A touchscreen with a maximum weight of 110 kg (243 lbs) can be mounted on the Prowise iPro Wall & Mobile lift.
- Never allow children to hang onto the screen. Not even when the screen is being used as a touch table.

- The lift is equipped with anti-collision sensors, which will stop the lift as soon as the lift meets resistance. This prevents damage to the lift and the touchscreen installed on it. However, this does not prevent the risk of entrapment, make sure no one is under the lift or that no body parts can be trapped between the lift and another object.

2.9. Moving the lift (Prowise iPro Mobile, iPro Tilt and iPro Toddler Lift).



CAUTION!

The Prowise iPro Tilt, Toddler and Mobile lift can only be moved in the lowest mode.

Take the following guidelines into account when moving the lift:

- Put the lift into the lowest mode before moving the screen with the lift. The wheels will be unlocked in the lowest mode.
- Place the lift in an upward position before moving the screen with the lift. This applies to both the Prowise iPro Tilt and Toddler lift.
- Switch off the touchscreen and remove the plug from the power outlet.
- Ensure the connecting cable does not drag over the floor or lies in the lift's walkway.
- Ensure that no objects or people are in the vicinity of the lift's walkway.
- At least two people must move the lift.
- To move the screen, use the grips on the side of the screen.
- Only move the lift and the screen on a stable, flat surface.
- Ensure that you avoid collision while moving the lift, as this can damage the screen, the lift and the surrounding area.
- Do not stand on the lift or hang onto the touchscreen while these are being moved.
- Do not place the lift in the vicinity of water.
- Connect the lift to the mains A/C current once it is in the right place.
- Once the lift has been moved, it must be initialised; this prevents damage and extends the lifespan of the lift.
 - Put the lift in the lowest position by pressing the down button (-) of the manual or foot control panel.

- Once the lift is in the lowest position, press the down button (-) once again and hold until the lift automatically progresses approximately 3 mm and then withdraws. This takes no longer than 5 seconds.
 - Only release the down button (-) when this movement has come to a complete standstill.
 - If the down button (-) is released before the lift has come to a complete standstill, initialisation will be interrupted and the process will need to be restarted.
- The wheels will lock as soon as the lift is being adjusted in height.

2.10. Maintenance



CAUTION!

The lifts do not contain component parts that need to be cleaned or maintained. To prevent damage, the connecting points must not come into contact with water. Should this happen, the connecting points must be completely dry before the appliance may once again be taken into use.

- Unplug the power cable before cleaning.
- Do not use aggressive chemical cleaning agents, the cleaning and disinfectants must not contain a high alkaline or acidic value (pH 6 to 8). Apply the cleaning agent to a cloth first and never apply the cleaning agent directly onto the lift.
- Never allow children to clean the lift while unattended.
- We recommend to clean the lift using a dry, lint-free cloth.

3. Repair



WARNING!

Never try to repair the appliance yourself. In the event of disruption or damage, always contact Prowise or its accredited partners.

Please always contact Prowise or a certified partner in case of a defect or damage to the lift. The contact information can be found on our website, www.prowise.com.

The lift is a double insulated product. Repair and maintenance of this requires extensive knowledge of the system and may only be done by qualified Prowise personnel or a certified partner.

The Prowise lift warranty will be void if unauthorized persons carry out modifications or repairs to the lift unless otherwise stated.

Proceed through the following steps when the lift shows interference:

1. Check to ensure all cables are properly connected.
2. Remove the plug from the power outlet. Wait for 2 minutes and reinsert the plug into the power outlet.
3. Try to initialise the lift. The lift is initialised with the down button (-) of the foot control panel.
 - a. Place the lift in the lowest position by applying continuous pressure to the down button (-) of the manual or foot control panel.
 - b. Once in the lowest position, press the down button (-) once again and hold until the lift automatically progresses approximately 3 mm and then withdraws. This takes no longer than 5 seconds.
 - c. Only release the down button (-) when the lift has come to a complete standstill.
 - d. If the down button (-) is released before the lift has come to a complete standstill, initialisation will be interrupted and the process has to be restarted.
4. If the problem reoccurs, contact the Prowise service desk - or that of an accredited partner - depending on the country or region in which you operate. Our contact details can be found on our website, www.prowise.com.

3.1. Replacement of parts

The replacement of parts of the Prowise iPro lift should only be done with original parts of Prowise. If you require a replacement part, such as a new power cord or a plastic part then please get in contact with the Service Desk of Prowise or a certified partner, depending on your country or region. The contact information can be found on our website www.prowise.com.

Provide the following information:

- Name lift (see product label)
- Serial number (see product label)
- The part (including photo if possible)
- Location of the part (including photo if possible)
- Failure or defect
- Contact person Prowise

4. Environment

- Remove the connecting cable from the power outlet if the lift is not to be used for a longer period.
- Should the lift no longer be operational, it can be delivered to an appointed collection point.
- Energy consumption in sleep mode amounts to < 0.1 Watt.

4.1. Recycling and disposal

If you have questions about correct disposal, please contact Prowise or a certified partner.



PACKAGING

The device is packaged to prevent transport damage. Packaging consists of resources that can be reused or recycled.



PRODUCT

Do not dispose of the device with household waste at the end of its lifespan. Ask about the possibilities for an environmentally friendly and responsible method of disposal.

Inhaltsverzeichnis

1. Über diese Sicherheitsvorschriften	18
1.1. Genutzte Warnpiktogramme und -symbole	18
1.2. Nutzungsbestimmungen	18
1.3. EU Konformitätserklärung	19
2. Sicherheitshinweise	20
2.1. Wichtige Sicherheitshinweise	20
2.2. Lieferumfang	22
2.3. Installation	23
2.4. Umgebungsbedingungen	24
2.5. Ergonomie	24
2.6. Anschließen	25
2.7. Kabel	25
2.8. Nutzung des Lifts	25
2.9. Den Lift verschieben	27
2.10. Instandhaltung	28
3. Reparatur	29
3.1. Ersatzteile Austauschen	30
4. Umwelt	31
4.1. Recycling und Entsorgung	31

1. Über diese Sicherheitsvorschriften

Lesen Sie die Bedienungsanleitung sorgfältig durch, bevor Sie den Prowise iPro lift in Betrieb nehmen. Beachten Sie die Warnhinweise auf dem Produkt, in den Sicherheitshinweisen und in der Bedienungsanleitung. Bewahren Sie die Gebrauchsanweisung und die Sicherheitsvorschriften gut sichtbar und in Reichweite des Geräts auf.

1.1. Genutzte Warnpiktogramme und -symbole



WARNUNG VOR GEFAHR!

Warnung vor möglichen Verletzungen.



WARNUNG!

Warnung vor elektrisch geladenen Teilen.



ACHTUNG!

Beachten Sie diese Anweisungen, um Materialschäden zu verhindern.



BEMERKUNG!

Informationen und Hinweise zur Nutzung des Geräts.



LESEN SIE DIE GEBRAUCHSANWEISUNG!

Hiermit verhindern Sie eine fehlerhafte Nutzung Ihres Geräts.

1.2. Nutzungsbestimmungen

Die Prowise iPro Lifte sind dazu bestimmt, auf einfache Weise die Höhe und, wenn möglich, den Neigungswinkel des Prowise Touchscreens zu verändern. Die iPro Mobile, Toddler und Tilt Lifte sind außerdem verfahrbar. Jede Nutzung, die nicht der in diesen Sicherheitsvorschriften beschriebenen Nutzungsweise entspricht, entbindet Prowise B.V. von jeglicher Schuld oder Haftbarkeit im Fall von materiellem Schaden, oder Verletzung. Führen sie ohne schriftliche Zustimmung von Prowise B.V. keine Änderungen am Gerät durch. Bei Gebrauch, der nicht den Nutzungsbedingungen entspricht, verfällt die Garantie.

1.3. EU Konformitätserklärung

Prowise B.V.
Luchthavenweg 1b
6021 PX Budel
Niederlande

Erklärt hiermit vollständig unter eigener Verantwortung, dass das Produkt:

- Prowise iPro Toddler lift mit Produktnummer PW.1.21007.0002
- Prowise iPro Mobile lift mit Produktnummer PW.1.21003.0002
- Prowise iPro Tilt lift mit Produktnummer PW.1.21005.0003
- Prowise iPro Wall lift mit Produktnummer PW.1.21002.0002

Auf welches sich diese Erklärung bezieht, alle fundamentalen Sicherheits- und Gesundheitsanforderungen der europäischen Richtlinien erfüllt:

- Maschinenrichtlinie 2006/42/EU
- Niederspannungsrichtlinie 2014/35/EU
- EMC Richtlinie 2014/30/EU
- RoHS 2011/65/EU

Die folgenden harmonisierten Normen werden erfüllt:

NEN-EN-ISO 12100
NEN-EN-349
NEN-EN-953
NEN-EN-ISO 13857
NEN-EN 60204-1



2. Sicherheitshinweise

2.1. Wichtige Sicherheitshinweise



ACHTUNG!

Beachten Sie die folgenden Sicherheitshinweise!

- Prowise B.V. kann nicht für Verletzungen, Schaden, oder übermäßigen Verschleiß durch fehlerhafte Nutzung und Instandhaltung oder Modifikationen des Gerätes haftbar gemacht werden.
- Nutzen Sie ausschließlich durch Prowise geliefertes Zubehör und Ersatzteile.
- Reparaturen durch Dritte sind nicht gestattet. Nehmen Sie für Service oder Reparaturen immer Kontakt mit Prowise auf, oder kontaktieren Sie einen zertifizierten Partner.
- Nutzen Sie das Gerät nicht bei extremen Wetterbedingungen, wie extremer Hitze, Kälte, oder Feuchtigkeit. Installieren Sie das Gerät nicht draußen.
- Nutzen Sie das Produkt nicht in einem Gebiet, in dem Explosionsgefahr herrscht. Dies gilt für alle Ex-Zonen.



WARNUNG!

Warnung vor elektrisch geladener Teile!

- Öffnen Sie niemals das Gehäuse der Steuereinheit! Es besteht das Risiko eines Stromschlages, Kurzschlusses und/oder Brandgefahr. Dabei können sich Personen verletzen und der Lift kann beschädigt werden.
- Führen Sie keine Gegenstände in die Öffnungen des Lifts ein. Das kann zu Kurzschlüssen und selbst zu Brand führen.
- Ziehen Sie bei Unwetter den Stecker aus der Steckdose, um Schaden durch Blitzschlag zu vermeiden. Wir empfehlen einen Überspannungsschutz, um den Lift und den angeschlossenen Touchscreen gegen Beschädigung durch Spannungs-Schübe und/oder Blitzschlag ins Elektrizitätsnetz zu verhindern.

- Schützen Sie den Lift vor Wasser und Flüssigkeiten. Kontakt mit Flüssigkeiten kann zu einem Kurzschluss und Lebensgefahr durch Stromschlag führen.
- Die Stromzufuhr und Steckerverbindungen dürfen keinesfalls in Kontakt mit Wasser kommen. Schalten Sie die Stromzufuhr direkt ab, wenn dies dennoch geschieht. Die Stromversorgung und Steckerverbindungen müssen trocken sein, bevor das Gerät wieder in Betrieb genommen werden darf.
- Berühren Sie den Stromanschluss und die Steckerverbindungen niemals mit nassen Händen.
- Sorgen Sie dafür, dass das Stromnetz nicht überlastet wird. Zum Beispiel indem Sie eine Verteilerdose nutzen. Überlastung kann zu einem Kurzschluss führen.
- Schalten Sie die Stromzufuhr ab, ziehen Sie den Stecker aus der Steckdose und nehmen Sie Kontakt mit unserem Kundendienst auf, wenn:
 - das Anschlusskabel, oder der Stecker beschädigt ist. Ersetzen Sie das defekte Kabel durch ein neues Exemplar. Reparieren Sie niemals defekte Kabel oder Stecker.
 - wenn das Gerät beschädigt ist oder wenn Flüssigkeiten in das Gerät eingedrungen sind.
 - ungewöhnliche Geräusche oder Gerüche aus dem Produkt dringen. Dies kann die Folge eines internen Kurzschlusses sein



WARNUNG!

Warnung vor möglichen (schweren) Verletzungen.

- Lassen Sie Kinder nicht mit dem Lift spielen, es besteht die Gefahr, dass der sie eingeklemmt werden, wenn der Lift in seiner Höhe verstellt wird. Dies kann nicht verhindert werden, wenn der Lift ordnungsgemäß funktionieren soll.
- Hängen Sie sich niemals an den Touchscreen.
- Sorgen Sie dafür, dass die Anschlusskabel nicht in Laufwegen liegen, um Stolpergefahr zu minimalisieren.
- Fassen Sie die bewegende Teile des Lifts nicht an, während der Lift in seiner Höhe verstellt wird. Dies kann zu Verletzungen führen. Verschieben Sie der Lift nur auf einem ebenen, stabilen Untergrund.

- Sorgen Sie dafür, dass sich während des Verschiebens keine Gegenstände oder Personen auf der Route des Lifts befinden.
- Befolgen Sie die Montageanleitung.



ACHTUNG!

- Setzen Sie den Lift immer in die Nähe einer Steckdose. Die Steckdose muss während der Benutzung des Lifts leicht zugänglich bleiben.
- Schließen Sie den Lift nur an eine geerdete Steckdose an.
- Stellen Sie keine Gegenstände auf das Bedienfeld oder die Bodenplatte des Lifts.
- Verwenden Sie ausschließlich das mitgelieferte Verbindungskabel, um Schäden am Gerät zu vermeiden.
- Stellen Sie sicher, dass der Lift keinen starken Stößen, Vibrationen oder Einschlag-Wirkungen ausgesetzt ist. Das könnte den Apparat und den darauf befestigten Touchscreen beschädigen.
- Berühren Sie den Lift nicht mit scharfen oder harten Gegenständen, um Beschädigungen zu vermeiden.
- Die maximale Größe des anzuschließenden Touchscreens unterscheidet sich je nach Lift:
 - Auf dem Prowise iPo Tilt & Toddler Lift kann ein Touchscreen mit einer maximalen Bildschirmgröße von 65 – 65 Zoll montiert werden.
 - Auf dem Prowise iPro Wall & Mobile Lift kann ein Touchscreen mit einer maximalen Bildschirmgröße von 86 – 86 Zoll montiert werden.
- Die Prowise iPro Liftsysteme müssen von einem professionellen Prowise-Mitarbeiter oder einem zertifizierten Partner installiert werden.



Lesen Sie die Gebrauchsanleitung!

Es ist wichtig, die Gebrauchsanleitung gründlich zu lesen, damit der Lift korrekt verwendet wird und Schäden am Lift oder Verletzungen durch Missbrauch vermieden werden können.

2.2. Lieferumfang

Kontrollieren Sie die Vollständigkeit der Lieferung und nehmen Sie innerhalb von fünf (5) Tagen nach Lieferung Kontakt mit dem Kundenservice auf, wenn die

Lieferung nicht vollständig ist. Die Kontaktdaten unseres Kundenservice finden Sie auf unserer Website, www.prowise.com. Sorgen Sie Bitte dafür, dass Sie die Seriennummer des Geräts und eine Rechnungskopie zur Hand haben.

Die Lieferung umfasst folgende Teile:

- Prowise iPro Liftsystem
- Vesa-Halterungen
- Montage-Set mit darin enthalten:
 - Schnellstart-Guide oder Montageanleitung
 - Sicherheitshinweise
 - Befestigungsmaterial
- Anschlusskabel



WARNUNG VOR GEFAHR!

Bewahren Sie das Verpackungsmaterial, zum Beispiel Plastikfolien, immer außerhalb der Reichweite von Kindern auf. Falsche Handhabung von Verpackungsmaterial kann zu Erstickungsgefahr führen.

2.3. Installation



ACHTUNG!

Lassen Sie die Montage des Lifts und die Installation des Prowise Touchscreens, auf dem Lift, ausschließlich von Prowise oder durch einen von Prowise zertifizierten Partner ausführen. Prowise kann nicht für Schaden, oder Verletzungen haftbar gemacht werden, die durch Installation durch Dritte entstehen. Die Garantie verfällt, wenn der Lift oder Touchscreen durch Dritte installiert werden.

- Der Lift muss von Prowise oder einem von Prowise zertifizierten Partner, nach den Anweisungen in der Montageanleitung oder im Quick Start Guide des Lifts, montiert werden.
- Die Steckdose muss geerdet sein und über eine Stromstärke von 6A verfügen.
- Schließen Sie das Anschlusskabel ausschließlich an Steckdosen mit AC 100-240 V~ 50/60 Hz. an. Bei Zweifel kontaktieren Sie Ihr Energieversorgungsunternehmen.
- Nutzen Sie ausschließlich das mitgelieferte Anschlusskabel. Vermelden Sie eine verschmutzte Umgebung und Vibrationen.

- Platzieren Sie keine Objekte unter dem Lift, dies kann die Bewegung des Lifts einschränken. Der Lift ist von Anti-Kollisions Sensoren versehen. Er hält in seiner Bewegung an, sobald er auf Widerstand trifft. Dies Verhindert Schaden am Lift und dem drauf installieren Touchscreen. ACHTUNG: Dies ist kein Personenschutz.
- Platzieren Sie den Lift immer auf einem flachen, stabilen, geraden Untergrund.
- Schützen Sie den Lift vor Wasser und Flüssigkeiten.
- Installieren oder verwenden Sie das Gerät nicht in der Nähe von Wasser und flüssigkeitshaltigen Gegenständen. Sorgen Sie dafür, dass das Anschlusskabel nicht auf dem Laufweg liegt, um Stolpergefahr zu vermeiden.

2.4. Umgebungsbedingungen

- Der Lift kann bei einer Umgebungstemperatur von +10 °C bis +40 °C (50 °F bis 104 °F) genutzt werden (nicht kondensierend).
- In ausgeschaltetem Zustand kann der Lift bei einer Umgebungstemperatur von -10 °C bis zu +70 °C (14 °F bis 158 °F) gelagert werden (nicht kondensierend).
- Ziehen Sie bei Unwetter den Stecker aus der Steckdose. Wir empfehlen einen Überspannungsschutz zu nutzen, um den Lift und den angeschlossenen Touchscreen gegen Spannungsschwankungen, oder Blitzeinschlag in das Stromnetz, zu schützen.

2.5. Ergonomie

Stellen Sie den Touchscreen mithilfe des Lifts, vor Nutzung, auf die richtige Höhe ein. Vermeiden Sie eine gebückte Körperhaltung und sorgen Sie dafür, dass die Oberkante des Touchscreens sich in Reichweite befindet.

Wenn der Touchscreen sich in einer optimalen Position befindet können Sie sowohl die Ober- als auch die Unterkante des Bildschirms berühren, ohne sich zu Bücken, oder auf den Zehenspitzen zu stehen. Durch die richtige Position des Bildschirms können Sie körperliche Beschwerden als Folge einer falschen Arbeitshaltung vermeiden.

Verschieben Sie den Lift immer zu zweit und tragen Sie den Lift keine Treppen hoch. Nutzen Sie dazu einen Aufzug, oder eine Rampe, um körperliche Beschwerden und Verletzungen zu verhindern.

2.6. Anschließen

Beachten Sie die folgenden Warnhinweise beim Anschließen des Lifts.



WARNUNG!

Benutzen Sie niemals beschädigte Stromkabel, oder Stecker. Ersetzen Sie die beschädigten Anschlusskabel, oder Stecker, durch ein neues, originales Exemplar. Reparieren Sie niemals beschädigte Kabel oder Stecker.

- Wenn der Lift mit dem Stromnetz verbunden ist, muss sich die Steckdose in der Nähe des Lifts befinden.
- Unterbrechen Sie die Stromversorgung des Lifts indem Sie den Stecker des Anschlusskabels aus der Steckdose ziehen.
- Nutzen Sie das Anschlusskabel ausschließlich in Verbindung mit einer geerdeten Steckdosen mit AC 100-240 V~ 50-60 Hz. Bei Ungewissheit über die Stromversorgung am Installationsstandort kontaktieren Sie Bitte den Energieversorger.
- Nutzen Sie ausschließlich die mitgelieferten Anschlusskabel und Stecker.
- Im Zusammenhang mit der Sicherheit wird empfohlen einen Überspannungsschutz zu verwenden, um Schaden, durch Spannungsschübe oder durch Blitzeinschlag in das Stromnetz, am Lift und dem angeschlossenen Touchscreen zu verhindern.

2.7. Kabel

- Sorgen Sie dafür, dass die Anschlusskabel nicht in Laufwegen liegen, um Stolpergefahr zu verhindern und zu vermeiden, dass jemand darauf tritt.
- Platzieren Sie keine Gegenstände auf den Kabeln, um zu vermeiden, dass diese beschädigt werden.
- Ersetzen Sie die mitgelieferten Kabel nicht durch andere Kabel. Nutzen Sie ausschließlich durch Prowise gelieferte Kabel.

2.8. Nutzung des Lifts

Lesen Sie außer diesen Sicherheitsvorschriften auch die Bedienungsanleitung sorgfältig, um eine ordnungsgemäße Funktion des Lifts sicherzustellen.

Jede Nutzung die nicht der, in der Bedienungsanleitung und in diesen Sicherheitsvorschriften beschriebenen, Nutzungsweise entspricht, kann zu Schaden am Gerät oder Verletzung von Personen führen und entbindet Prowise B.V. von

jeglicher Schuld oder Haftbarkeit. Führen sie ohne schriftliche Zustimmung von Prowise B.V. keine Änderungen am Gerät durch. Bei Gebrauch, der nicht den Nutzungsbedingungen entspricht, verfällt die Garantie.



ACHTUNG!

Lassen Sie Kinder diesen Lift nicht ohne Aufsicht bedienen.



GEFAHRENWARNUNG!

Der Arbeitsbereich muss frei von Hindernissen sein. Vergewissern Sie sich, dass sich keine Objekte unter dem Lift befinden und keine Körperteile zwischen den Lift und den Bildschirm und das Objekt kommen können.

- Der Lift ist nicht dazu bestimmt, mit ihm zu spielen.
- Die Maximale Nutzungsdauer beträgt 1 Minute pro 20 Minuten bei vollständiger Belastung mit der Ausnahme des Toddler Lifts, hier beträgt die max. Nutzungsdauer 2 Minuten pro 20 Minuten.
- Die maximale Belastung des anzuschließenden Touchscreens unterscheidet sich je nach Lift:
 - Auf dem Prowise iPo Tilt & Toddler Lift kann ein Touchscreen mit einem maximalen Gewicht von 75 kg (165 lbs) montiert werden.
 - Auf dem Prowise iPro Wall & Mobile Lift kann ein Touchscreen mit einem maximalen Gewicht von 110 kg (243 lbs) montiert werden.
- Lassen Sie niemals Kinder am Bildschirm hängen. Nicht einmal, wenn der Bildschirm als Touch-Table verwendet wird.
- Der Lift ist mit einem Anti-Kollisions-Schutz versehen, hierdurch hält der Lift in seiner Bewegung an, sobald er auf Widerstand, oder ein Objekt trifft. Dies verhindert Beschädigung des Lifts und des darauf installierten Touchscreens. Es besteht jedoch weiterhin die Gefahr der Einklemmung von Personen. Achten Sie darauf, dass keine Körperteile zwischen dem Touchscreen und einem anderen Gegenstand eingeklemmt werden können.

2.9. Den Lift verschieben (Prowise iPro Mobile, iPro Tilt und iPro Toddler Lift)



ACHTUNG!

Der Prowise iPro Tilt, Toddler und Mobile Lift kann nur auf dem niedrigsten Stand versetzt werden.

Beachten Sie die folgenden Richtlinien, wenn Sie den Lift bewegen:

- Bringen Sie den Lift auf den niedrigsten Stand, bevor Sie den Bildschirm mit Lift versetzen. Die Räder entriegeln in der niedrigsten Position.
- Bringen Sie den Lift in eine aufrechte Position, bevor Sie den Bildschirm mit Lift versetzen. Das gilt für den Prowise iPro und Toddler Lift.
- Schalten Sie den Touchscreen aus und ziehen Sie den Stecker aus der Steckdose.
- Sorgen Sie dafür, dass das Anschlusskabel nicht über den Boden schleift oder im Laufweg des Lifts liegt.
- Achten Sie darauf, dass sich keine Personen oder Gegenstände in Fahrtrichtung des Lifts befinden.
- Verschieben Sie den Lift mit mindestens zwei Personen.
- Fassen Sie den Bildschirm an den Griffen seitlich des Schirms, um diesen zu verschieben.
- Verschieben Sie den Lift und den Bildschirm ausschließlich über eine stabile, ebene Fläche.
- Geben Sie Acht, dass Sie während des Versetzens nirgendwo gegen stoßen. Das kann zu Schäden an Bildschirm, Lift und Umgebung führen.
- Stehen Sie nicht auf dem Lift oder hängen Sie nicht am Touchscreen, wenn dieser verschoben wird.
- Stellen Sie den Lift nicht in die Nähe von Wasser.
- Schließen Sie den Lift an die Stromversorgung an, sobald dieser an der richtigen Stelle steht.
- Nach dem Versetzen muss der Lift initialisiert werden. Das verhindert Schäden und verlängert die Lebensdauer des Lifts.
 - Bringen Sie den Lift in eine niedrige Position, indem Sie die Taste Abwärts (-) der Hand- oder Fußbedienung eingedrückt halten.

- Drücken Sie, wenn Sie auf der niedrigsten Position angekommen sind, nochmals die Taste Abwärts (-) und halten Sie diese fest, bis der Lift automatisch circa 3mm weiter einläuft und wieder hinausläuft. Dies dauert maximal 5 Sekunden.
- Lassen Sie die Taste Abwärts (-) erst dann wieder los, wenn diese Bewegung vollständig gestoppt ist.
- Wenn die Taste Abwärts (-) losgelassen wird, bevor die Bewegung abgeschlossen ist, wird die Initialisierung unterbrochen und der Prozess muss nochmals von Beginn an durchlaufen werden.
- Sobald der Lift in der Höhe verstellt wird, blockieren die hintersten Rollen.

2.10. Instandhaltung



ACHTUNG!

Die Lifte enthalten innen keine Teile, die gereinigt oder gewartet werden müssen. Um Beschädigungen zu vermeiden, dürfen die Anschlussstellen nicht mit Wasser in Berührung kommen. Wenn dies doch passiert, müssen die Verbindungsstellen erst vollständig trocken sein, bevor das Gerät wieder verwendet werden kann

- Ziehen Sie vor der Reinigung den Stecker aus der Steckdose.
- Benutzen Sie keine aggressiven Reinigungsmittel. Die Reinigungs- und Desinfektionsmittel dürfen keine starken Säuren oder Basen enthalten (pH 6 bis 8). Tragen Sie die Mittel immer erst auf ein Tuch auf und niemals direkt auf den Lift.
- Kinder dürfen den Lift nur unter Beaufsichtigung durch Erwachsene reinigen.
- Reinigen Sie den Lift mit einem trockenen, fusselfreien Tuch.

3. Reparatur



WARNUNG!

Probieren Sie niemals, das Gerät selber zu reparieren. Nehmen Sie bei Störungen oder Beschädigungen Kontakt auf mit Prowise oder einem zertifizierten Partner.

Nehmen Sie bei Störungen oder Beschädigung Kontakt mit Prowise auf, oder kontaktieren Sie einen zertifizierten Partner. Die Kontaktdaten finden Sie auf unserer Website: www.prowise.com.

Der Lift ist ein doppelt isoliertes Produkt. Reparatur und Wartung erfordern ausführliche Kenntnis des Systems und dürfen ausschließlich durch qualifiziertes Servicepersonal von Prowise, oder einen zertifizierten Partner, ausgeführt werden.

Die Garantie des Prowise Lifts verfällt, wenn unbefugte Personen Modifikationen oder Reparaturen, am Lift durchführen, falls keine ausdrückliche Sonderregelung besteht.

Kontrollieren Sie die folgenden Punkte, wenn Ihr Lift eine Störung aufweist:

1. Kontrollieren Sie, ob alle Kabel gut angeschlossen sind.
2. Nehmen Sie den Stecker aus der Steckdose. Warten Sie zwei Minuten und stecken Sie den Stecker wieder zurück in die Steckdose.
3. Probieren Sie, den Lift zu initialisieren. Der Lift wird mithilfe der Taste Abwärts (-) der Fußbedienung initialisiert.
 - a. Bringen Sie den Lift auf die niedrigste Position, indem Sie die Taste Abwärts (-) der Hand- oder Fußbedienung eingedrückt halten.
 - b. Drücken Sie, wenn Sie auf der niedrigsten Position angekommen sind, nochmals die Taste Abwärts (-) und halten Sie diese fest, bis der Lift automatisch circa 3mm weiter einläuft und wieder hinausläuft. Dies dauert maximal 5 Sekunden.
 - c. Lassen Sie die Taste Abwärts (-) erst dann wieder los, wenn diese Bewegung vollständig gestoppt ist.

- d. Wenn die Taste Abwärts (-) losgelassen wird, bevor die Bewegung abgeschlossen ist, wird die Initialisierung unterbrochen und der Prozess muss nochmals von Beginn an durchlaufen werden.
4. Wenn das Problem weiterhin auftritt, wenden Sie sich an das Prowise Servicedesk oder einen zertifizierten Partner, abhängig von Ihrem Land oder Ihrer Region. Die Kontaktinformationen finden Sie auf unserer Website, www.prowise.com.

3.1. Einzelteile Austauschen

Tauschen Sie Ersatzteile des Prowise Lifts ausschließlich durch die Original Ersatzteile von Prowise aus. Wenn Sie Ersatzteile, wie ein neues Stromkabel oder ein Kunststoffteil benötigen, nehmen Sie, abhängig von Ihrem Land und Ihrer Region Bitte Kontakt mit der zuständigen Serviceabteilung von Prowise auf. Die Kontaktdaten finden Sie auf der Website, www.prowise.com.

Geben Sie dabei die folgenden Informationen an:

- Name des Lifts (siehe Typenschild)
- Seriennummer (siehe Typenschild)
- Welches Ersatzteil wird benötigt? (eventuell mit Foto)
- Position des (Ersatz)teils (eventuell mit Foto)
- Welcher Fehler? (eventuell mit Foto)
- Ihre Prowise Kontaktperson

4. Umwelt

- Nehmen Sie das Anschlusskabel aus der Steckdose, wenn der Lift für längere Zeit nicht gebraucht wird.
- Wenn der Lift nicht mehr benutzbar ist, kann er an einer geeigneten Sammelstelle abgegeben werden.
- Der Energieverbrauch im Schlafstand beträgt $< 0,1$ Watt.

4.1. Recycling und Entsorgung

Wenn Sie Fragen zur richtigen Entsorgung haben, können Sie Kontakt mit Prowise, oder einem zertifizierten Partner aufnehmen.



VERPACKUNG

Das Produkt ist verpackt, um Transportschaden zu vermeiden. Verpackungen werden aus Grundstoffen hergestellt und können wiederverwendet, oder recycelt werden.



PRODUKT

Entsorgen Sie das Produkt am Ende der Lebensdauer nicht im Hausmüll. Informieren Sie sich über die Möglichkeiten einer Umweltfreundlichen Entsorgung.

Inhoudsopgave

1. Over deze veiligheidsvoorschriften	34
1.1. Gebruikte waarschuwingspictogrammen en -symbolen	34
1.2. Beoogd gebruik	34
1.3. EG Conformiteitsverklaring	35
2. Veilig gebruik	36
2.1. Belangrijke veiligheidsinstructies	36
2.2. Leveringsomvang	38
2.3. Installatie	39
2.4. Omgevingsomstandigheden	40
2.5. Ergonomie	40
2.6. Aansluiten	40
2.7. Kabels	41
2.8. Gebruik van de lift	41
2.9. Verplaatsen van de lift	42
2.10. Onderhoud	44
3. Reparatie	44
3.1. Vervangen van onderdelen	45
4. Milieu	46
4.1. Recycling en afvoer	46

1. Over deze veiligheidsvoorschriften

Lees de veiligheidsvoorschriften zorgvuldig door, voordat je de Prowise iPro lift in gebruik neemt. Volg de waarschuwingen op die op het apparaat en in de gebruiksaanwijzing vermeld staan. Bewaar deze veiligheidsvoorschriften en de gebruiksaanwijzing altijd binnen handbereik.

1.1. Gebruikte waarschuwingspictogrammen en -symbolen



WAARSCHUWING VOOR GEVAAR!

Waarschuwing voor mogelijk (ernstig) letsel.



WAARSCHUWING!

Waarschuwing voor delen onder elektrische spanning.



LET OP!

Neem deze aanwijzingen in acht om materiële schade te voorkomen.



OPMERKING!

Informatie en advies over het gebruik van het apparaat.



LEES DE HANDLEIDING!

Dit voorkomt foutief gebruik van het apparaat.

1.2. Beoogd gebruik

De Prowise iPro liften zijn bestemd om op een eenvoudige wijze de hoogte en, indien mogelijk, de kantelhoek van het Prowise touchscreen te wijzigen. De iPro Mobile, Toddler en Tilt Lift zijn tevens verrijdbaar. Ieder ander gebruik dan in deze veiligheidsvoorschriften staat beschreven sluit Prowise B.V. uit van iedere verantwoordelijkheid en aansprakelijkheid in geval van materiële schade en/of letsel. Wijzig niets aan het apparaat zonder schriftelijke toestemming van Prowise B.V. Bij oneigenlijk gebruik komt de garantie te vervallen.

1.3. EG Conformiteitsverklaring

Prowise B.V.
Luchthavenweg 1b
6021 PX Budel
Nederland

Verklaart hierbij geheel onder eigen verantwoordelijkheid dat het product:

- Prowise iPro Toddler Lift met productnummer PW.1.21007.0002
- Prowise iPro Mobile Lift met productnummer PW.1.21003.0002
- Prowise iPro Tilt Lift met productnummer PW.1.21005.0003
- Prowise iPro Wall Lift met productnummer PW.1.21002.0002

waarop deze verklaring van toepassing is, voldoet aan de fundamentele veiligheids- en gezondheidseisen van onderstaande Europese richtlijnen:

- Machinerichtlijn 2006/42/EU
- Laagspanningsrichtlijn 2014/35/EU
- EMC Richtlijn 2014/30/EU
- RoHS Richtlijn 2011/65/EU

En, in voorkomend geval, dat er een overeenstemming is met de volgende geharmoniseerde norm(en) of delen van deze normen:

NEN-EN-ISO 12100
NEN-EN-349
NEN-EN-953
NEN-EN-ISO 13857
NEN-EN 60204-1



2. Veilig gebruik

2.1. Belangrijke veiligheidsinstructies



LET OP!

Neem volgende veiligheidsinstructies in acht:

- Prowise B.V. is niet aansprakelijk voor verwondingen, schade en/of overmatige slijtage door onjuist gebruik en onderhoud of modificaties aan het apparaat.
- Gebruik uitsluitend door ons geleverde onderdelen of accessoires.
- Reparaties door derden zijn niet toegestaan.
- Gebruik dit apparaat niet onder extreme weersomstandigheden, zoals hitte, kou of vocht en installeer het apparaat niet buiten.
- Gebruik dit apparaat niet in een explosiegevaarlijke omgeving. Hieronder wordt een stof- of gas gezoneerd EX-gebied verstaan.



WAARSCHUWING!

Waarschuwing voor delen onder elektrische spanning.

- Open nooit de behuizing van de controlebox! Dit kan leiden tot een elektrische schok, kortsluiting of zelfs tot brand, waardoor verwondingen kunnen worden opgelopen en de lift kan beschadigen.
- Steek geen voorwerpen in de openingen van de lift die hier niet voor bedoeld zijn. Dit kan leiden tot kortsluiting of zelfs brand.
- Trek tijdens onweer de stekker uit het stopcontact om schade door blikseminslag te voorkomen. Wij adviseren om gebruik te maken van een overspanningsbeveiliging om de lift en het aangesloten scherm te beschermen tegen beschadiging door spanningspieken of blikseminslag op het elektriciteitsnet.
- Zorg ervoor dat de lift niet nat wordt! Dit kan leiden tot kortsluiting en elektrocutiegevaar. Installeer het apparaat niet in de buurt van water en plaats er geen vloeistofhoudende voorwerpen op of naast.
- De stroomtoevoer en de stekkerverbindingen mogen in geen geval in contact komen met water. Schakel de netstroom direct uit en trek de stekker uit het stopcontact wanneer dit toch gebeurt. De stroomtoevoer en stekkerverbindingen moeten volledig droog zijn voordat je het apparaat weer mag gebruiken.

- Raak de stroomtoevoer en de stekkerverbinding nooit met natte handen aan.
- Zorg ervoor dat het stopcontact niet overbelast raakt, bijvoorbeeld door een verdeelstekker te gebruiken. Overbelasting kan kortsluiting tot gevolg hebben.
- Schakel de stroomtoevoer van de lift uit, trek de stekker uit het stopcontact en neem contact op met onze service desk wanneer:
 - de aansluitkabel of stekker beschadigd is. Vervang de defecte aansluitkabel alleen door een origineel exemplaar. Repareer nooit zelf beschadigde kabels en stekkers, maar vervang ze.
 - het apparaat beschadigd is of wanneer er vloeistoffen in het apparaat zijn binnengedrongen.
 - er ongewone geluiden of geuren uit het apparaat komen. Dit kan het gevolg zijn van een interne kortsluiting.



WAARSCHUWING!

Waarschuwing voor mogelijk (ernstig) letsel

- Sta niet op een stoel, kruk of ander voorwerp om de lift te bedienen, dit geldt met name voor kinderen! Dit veroorzaakt risico op vallen met mogelijk ernstig letsel tot gevolg.
- Laat kinderen nooit met de lift spelen, er bestaat gevaar dat het kind klem komt te zitten wanneer de lift in hoogte of als de kantelhoek wordt versteld.
- Laat kinderen nooit aan het scherm hangen. Ook niet wanneer het scherm als een touchtafel wordt gebruikt.
- Zorg ervoor dat de aansluitkabel niet in de looproute ligt om struikelgevaar te voorkomen.
- Raak de bewegende onderdelen van de lift niet aan wanneer deze in hoogte of als de kantelhoek wordt versteld. Dit veroorzaakt risico op beklemming met mogelijk ernstig letsel tot gevolg.
- Verplaats de lift uitsluitend over een stabiele, vlakke ondergrond.
- Let op dat voorwerpen of personen zich niet in de looproute van de lift bevinden tijdens het verplaatsen.
- Volg de instructies voor de montage op zoals beschreven in de Quick Start Guide of Assembly Guide.



LET OP!

- Plaats de lift altijd in de buurt van een stopcontact. Het stopcontact moet goed toegankelijk blijven tijdens het gebruik van de lift.
- Sluit de lift uitsluitend op een geaard stopcontact aan.
- Plaats geen voorwerpen op het bedieningspaneel of de voetplaat van de lift.
- Gebruik uitsluitend de meegeleverde aansluitkabel om schade aan het apparaat te voorkomen.
- Zorg ervoor dat de lift niet wordt blootgesteld aan hevige schokken, trillingen of slag-impact. Dit kan het apparaat en het daarop bevestigde touchscreen beschadigen.
- Raak de lift niet met scherpe of harde voorwerpen aan om beschadigingen te voorkomen.
- De maximale grootte van het te bevestigen touchscreen verschilt per lift:
 - Op de Prowise iPo Tilt & Toddler lift kan een touchscreen met een maximale schermgrootte van 65 inch worden gemonteerd.
 - Op de Prowise iPro Wall & Mobile lift kan een touchscreen met een maximale schermgrootte van 86 inch worden gemonteerd.
- De Prowise iPro liftsystemen moeten door het vakkundig personeel van Prowise of een gecertificeerd partner worden geïnstalleerd.



Lees de handleiding!

Het is belangrijk de gebruikershandleiding goed door te nemen zodat de lift op de correcte manier gebruikt wordt en schade aan de lift of letsel door verkeerd gebruik vermeden kan worden.

2.2. Leveringsomvang

Controleer de volledigheid van de levering en neem binnen vijf (5) dagen na levering schriftelijk contact op te nemen met onze service desk, indien de levering niet compleet is. De contactgegevens van onze servicedesk staan op onze website, www.prowise.com. Houd hierbij het serienummer en een kopie van de factuur bij de hand.

De levering bevat volgende onderdelen:

- Prowise iPro liftstelsysteem
- Vesa-beugels
- Assemblage set met daarin:
 - Quick Start Guide of Assembly Guide
 - Safety Guide
 - Bevestigingsmateriaal
- Aansluitkabel



WAARSCHUWING VOOR GEVAAR!

Bewaar het verpakkingsmateriaal, zoals de folies, altijd buiten het bereik van kinderen. Verkeerd gebruik van verpakkingsmateriaal kan verstikkingsgevaar veroorzaken.

2.3. Installatie



LET OP!

Laat de installatie van de lift en het bevestigen van het touchscreen op de Prowise iPro lift enkel door Prowise of een gecertificeerde partner uitvoeren. Prowise kan niet aansprakelijk worden gesteld voor schade of letsel als gevolg van montage door derden. De garantie komt te vervallen wanneer de lift of het touchscreen door derden wordt geïnstalleerd.

- Het Prowise liftstelsysteem moet door Prowise of een Prowise partner geplaatst worden, volgens de instructies in de Assembly of Quick Start Guide van deze lift.
- Het stopcontact moet voorzien zijn van randaarde met een beschikbare stroomsterkte van 6A.
- Sluit de aansluitkabel uitsluitend aan op een geaard stopcontact met AC 100-240 V~ 50/60 Hz. Bij twijfel over de stroomvoorziening op de plaats van installatie, raadpleeg het energiebedrijf.
- Gebruik uitsluitend de meegeleverde aansluitkabel.
- Vermijd een vervuilde omgeving en trillingen.

- Plaats geen objecten onder de lift, hierdoor wordt de beweging van de lift belemmerd. De lift is voorzien van anti-collision sensoren, hierdoor stopt de lift onmiddellijk met bewegen zodra de lift weerstand ervaart. Dit voorkomt schade aan het apparaat en het daarop bevestigde touchscreen.
- Plaats de lift alleen op een vlakke, stabiele, niet hellende vloer.
- Installeer en gebruik het apparaat niet in de buurt van water- en vloeistofhoudende voorwerpen. Zorg dat de aansluitkabel niet in het looppad ligt, dit om struikelgevaar te voorkomen!

2.4. Omgevingsomstandigheden

- De lift kan worden gebruikt bij een omgevingstemperatuur van +10 °C tot +40 °C (50 °F tot 104 °F) een relatieve luchtvochtigheid van 10% -90% (niet condenserend)
- In uitgeschakelde toestand kan de lift worden opgeslagen bij een temperatuur tussen -10 °C en +70 °C (14 °F tot 158 °F) en een relatieve luchtvochtigheid van 10% -90% (niet condenserend).
- Trek tijdens onweer de stekker uit het stopcontact. Wij adviseren om gebruik te maken van een overspanningsbeveiliging om de lift en het aangesloten touchscreen te beschermen tegen beschadiging door spanningspieken of blikseminslag op het elektriciteitsnet.

2.5. Ergonomie

Stel het scherm voor gebruik altijd in op de juiste hoogte met de lift. Vermijd staan in een gebukte of voorovergebogen houding en zorg ervoor dat de uiteinden van het scherm binnen armreik liggen.

Een optimale positie van het scherm is als je zowel de bovenzijde als de onderzijde van het scherm kan aanraken, zonder dat je hiervoor moet bukken of ver omhoog moet reiken. Door een goede positie van het scherm voorkom je lichamelijke klachten die het gevolg kunnen zijn van een verkeerde werkhouding.

Verplaats de lift enkel met minimaal twee personen en draag de lift nooit een trap op. Gebruik hiervoor een lift of oprijplaat om lichamelijke klachten en letsels te vermijden.

2.6. Aansluiten

Neem onderstaande instructies in acht om de lift veilig aan te sluiten:



WAARSCHUWING!

Gebruik geen beschadigde aansluitkabel. Vervang de defecte aansluitkabel alleen door een origineel exemplaar. Repareer nooit zelf beschadigde kabels en stekkers.

- Het stopcontact moet zich in de buurt van de lift bevinden en makkelijk bereikbaar zijn wanneer de lift verbonden is met netstroom.
- Onderbreek de stroomvoorziening van de lift door de aansluitkabel uit het stopcontact te trekken.
- Gebruik de aansluitkabel uitsluitend in geaarde stopcontacten met AC 100-240 V~ 50-60 Hz. Bij twijfel over de stroomvoorziening op de plaats van installatie, raadpleeg het energiebedrijf.
- Gebruik uitsluitend de meegeleverde aansluitkabel.
- In verband met de extra veiligheid is het advies om gebruik te maken van een overspanningsbeveiliging om de lift en het aangesloten touchscreen te beschermen tegen beschadiging door spanningspieken of blikseminslag op het elektriciteitsnet.

2.7. Kabels

- Leg kabels niet in een looproute, zodat niemand erop kan trappen of erover kan struikelen.
- Plaats geen voorwerpen op de kabels, om te voorkomen dat ze beschadigd raken.
- Vervang de meegeleverde kabels niet door andere kabels. Maak uitsluitend gebruik van de meegeleverde kabels van Prowise.

2.8. Gebruik van de lift

Lees naast deze veiligheidsvoorschriften de gebruiksaanwijzing zorgvuldig door om een goede werking van de lift te kunnen waarborgen. Ieder ander gebruik dan beschreven in de gebruiksaanwijzing en deze veiligheidsvoorschriften wordt beschouwd als oneigenlijk gebruik en kan tot schade aan het apparaat of persoonlijk letsel leiden. Prowise B.V. is niet aansprakelijk voor materiële schade en/of letsel veroorzaakt door oneigenlijk gebruik. Bij oneigenlijk gebruik komt de garantie te vervallen.



LET OP!

Laat kinderen de lift nooit zonder toezicht bedienen of verplaatsen.



WAARSCHUWING VOOR GEVAAR!

Het werkingsbereik moet vrij zijn van obstakels! Zorg ervoor dat er geen objecten onder de lift staan en dat geen lichaamsdelen tussen de lift of het scherm en het object terecht kunnen komen.

- Deze lift is niet bedoeld om mee te spelen.
- De maximale gebruiksduur bij constant gebruik van de lift is 1 minuut per 20 minuten.
- De maximale belasting van het te bevestigen touchscreen verschilt per lift:
 - Op de Prowise iPro Tilt & Toddler lift kan een touchscreen met een maximaal gewicht van 75 kg (165 lbs) worden gemonteerd.
 - Op de Prowise iPro Wall & Mobile lift kan een touchscreen met een maximaal gewicht van 110 kg (243 lbs) worden gemonteerd.
- Laat kinderen nooit aan het scherm hangen. Ook niet wanneer het scherm als een touchtafel wordt gebruikt.
- De lift is voorzien van anti-collision sensoren, hierdoor stopt de lift onmiddellijk met bewegen zodra de lift weerstand ervaart. Dit voorkomt schade aan het apparaat en het daarop bevestigde touchscreen. Dit voorkomt echter niet de kans op inklemming. Let op dat niemand zich onder de lift bevindt en dat er geen lichaamsdelen bekneld kunnen raken tussen de lift en een ander voorwerp.

2.9. Verplaatsen van de lift (Prowise iPro Mobile, iPro Tilt en iPro Toddler lift)



LET OP!

De Prowise iPro Tilt, Toddler en Mobile lift kan alleen in zijn laagste stand verplaatst worden.

Neem de volgende richtlijnen in acht bij het verplaatsen van de lift:

- Zet de lift in de laagste stand voordat je het scherm met lift verplaatst.
In de laagste stand ontgrendelen de wielen.
- Zet de lift in opwaartse positie voordat je het scherm met lift verplaatst.
Dit geldt voor de Prowise iPro Tilt en Toddler lift.
- Schakel het touchscreen uit en trek de stekker uit het stopcontact.
- Zorg ervoor dat de aansluitkabel niet over de grond sleept of in het looppad van de lift.
- Let op dat er zich geen voorwerpen of personen in het looppad van de lift bevindt.
- Verplaats de lift minimaal met twee personen.
- Pak het scherm vast bij de handgrepen aan de zijkant van het scherm om deze te verplaatsen.
- Verplaats de lift en het scherm uitsluitend over een stabiele, vlakke ondergrond.
- Let op dat je nergens tegenaan botst terwijl je de lift verplaatst, dit kan voor schade aan het scherm, de lift en de omgeving zorgen.
- Ga niet op de lift staan of aan het touchscreen hangen als deze wordt verplaatst.
- Plaats de lift niet in de buurt van water.
- Verbind de lift met netstroom als deze op de juiste plaats staat.
- Na het verplaatsen van de lift moet deze geïnitieerd worden, dit voorkomt schade en verlengt de levensduur van de lift.
- Zet de lift in de laagste positie door de omlaag-knop (-) van de hand- of voetbediening ingedrukt te houden.
- Druk, eenmaal in laagste positie, nogmaals op de omlaag-knop (-) en houd deze vast totdat de lift automatisch ca. 3 mm verder in- en weer uitloopt.
Dit duurt maximaal 5 seconden.
- Laat de omlaag-knop (-) pas los wanneer deze beweging volledig gestopt is.
- Als de omlaag-knop (-) losgelaten wordt voordat de beweging is voltooid, wordt de initialisatie onderbroken en moet het proces opnieuw doorlopen worden.
- Zodra de lift in hoogte versteld wordt, vergrendelen de wielen.

2.10. Onderhoud



LET OP!

De liften bevatten binnenin geen onderdelen die moeten worden gereinigd of onderhouden. Om schade te voorkomen mogen de aansluitpunten niet in contact komen met water. Indien dit toch het geval is, moeten de aansluitpunten eerst volledig droog zijn voordat het apparaat weer in gebruik mag worden genomen.

- Haal voor het reinigen altijd de stekker uit het stopcontact.
- Gebruik geen agressieve chemische reinigingsmiddelen, de schoonmaak- en ontsmettingsmiddelen mogen niet sterk alkalisch of zuur zijn (pH 6 tot 8). Breng het reinigingsmiddel eerst op een doek aan. Gebruik het reinigingsmiddel nooit direct op de lift.
- Kinderen mogen de lift alleen onder toezicht reinigen.
- Reinig de lift met een zachte, droge en pluisvrije doek.

3. Reparatie



WAARSCHUWING!

Probeer het apparaat nooit zelf te repareren. Neem bij storingen of schade contact op met Prowise of een gecertificeerde partner.

Neem bij storingen of schade aan de lift contact op met Prowise of een door Prowise gecertificeerde partner. De contactgegevens vind je op onze website, www.prowise.com.

De lift is een dubbel geïsoleerd apparaat. Reparatie en onderhoud hiervan vereist uitgebreide kennis van het apparaat en mag enkel gedaan worden door het vakkundige personeel van Prowise of een gecertificeerde partner.

De garantie van de Prowise lift vervalt indien onbevoegden modificaties of reparaties aan de lift uit worden gevoerd, tenzij anders vermeld.

Doorloop de volgende stappen wanneer de lift storingen vertoont:

1. Controleer of alle kabels goed zijn aangesloten.
2. Haal de stekker uit het stopcontact. Wacht 2 minuten en steek de stekker weer terug in het stopcontact.
3. Probeer de lift te initialiseren. De lift wordt geïnitieerd met de omlaag-knop (-) van de voetbediening.
 - a. Zet de lift in de laagste positie door de omlaag-knop (-) van de hand- of voetbediening ingedrukt te houden.
 - b. Druk, eenmaal in laagste positie, nogmaals op de omlaag-knop (-) en houd deze vast totdat de lift automatisch ca. 3 mm verder in- en weer uitloopt. Dit duurt maximaal 5 seconden.
 - c. Laat de omlaag-knop (-) pas los wanneer deze beweging volledig gestopt is.
 - d. Als de omlaag-knop (-) losgelaten wordt voordat de beweging is voltooid, wordt de initialisatie onderbroken en moet het proces opnieuw doorlopen worden.
4. Als het probleem zich nog voordoet, neem dan contact op met de service desk van Prowise of een gecertificeerde partner, afhankelijk van jouw land of regio. De contactgegevens vind je op onze website, www.prowise.com

3.1. Vervangen van onderdelen

Vervang onderdelen van de lift enkel met originele vervangingsonderdelen van Prowise. Wanneer je vervangingsonderdelen nodig hebt, neem dan contact op met de service desk van Prowise of een gecertificeerde partner, afhankelijk van jouw land of regio. De contactgegevens vind je op onze website, www.prowise.com.

Vermeld hierbij de volgende gegevens:

- Naam lift (zie typeplaatje)
- Serienummer van de lift (zie typeplaatje)
- Welk onderdeel vervangen moet worden (eventueel foto)
- Plaats van het onderdeel (eventueel met foto)
- Welke storing of defect
- Prowise contactpersoon

4. Milieu

- Verwijder de aansluitkabel uit het stopcontact wanneer de lift voor langere tijd niet gebruikt wordt.
- Wanneer de lift niet meer bruikbaar is, kan het bij een hiertoe aangewezen inzamelpunt worden ingeleverd.
- Het energieverbruik in slaapstand bedraagt < 0,1 Watt.

4.1. Recycling en afvoer

Wanneer er vragen zijn over de juiste afvoer, kan contact worden opgenomen met Prowise of een gecertificeerde partner.



VERPAKKING

Het apparaat is verpakt om transportschade tegen te gaan. Verpakkingen zijn grondstoffen en kunnen hergebruikt of gerecycled worden.



APPARAAT

Voer het apparaat aan het einde van de levensduur niet af met het huishoudelijk afval. Informeer naar de mogelijkheden voor een milieuvriendelijke en verantwoorde manier van afvoeren.

Let education speak

Prowise

www.prowise.com