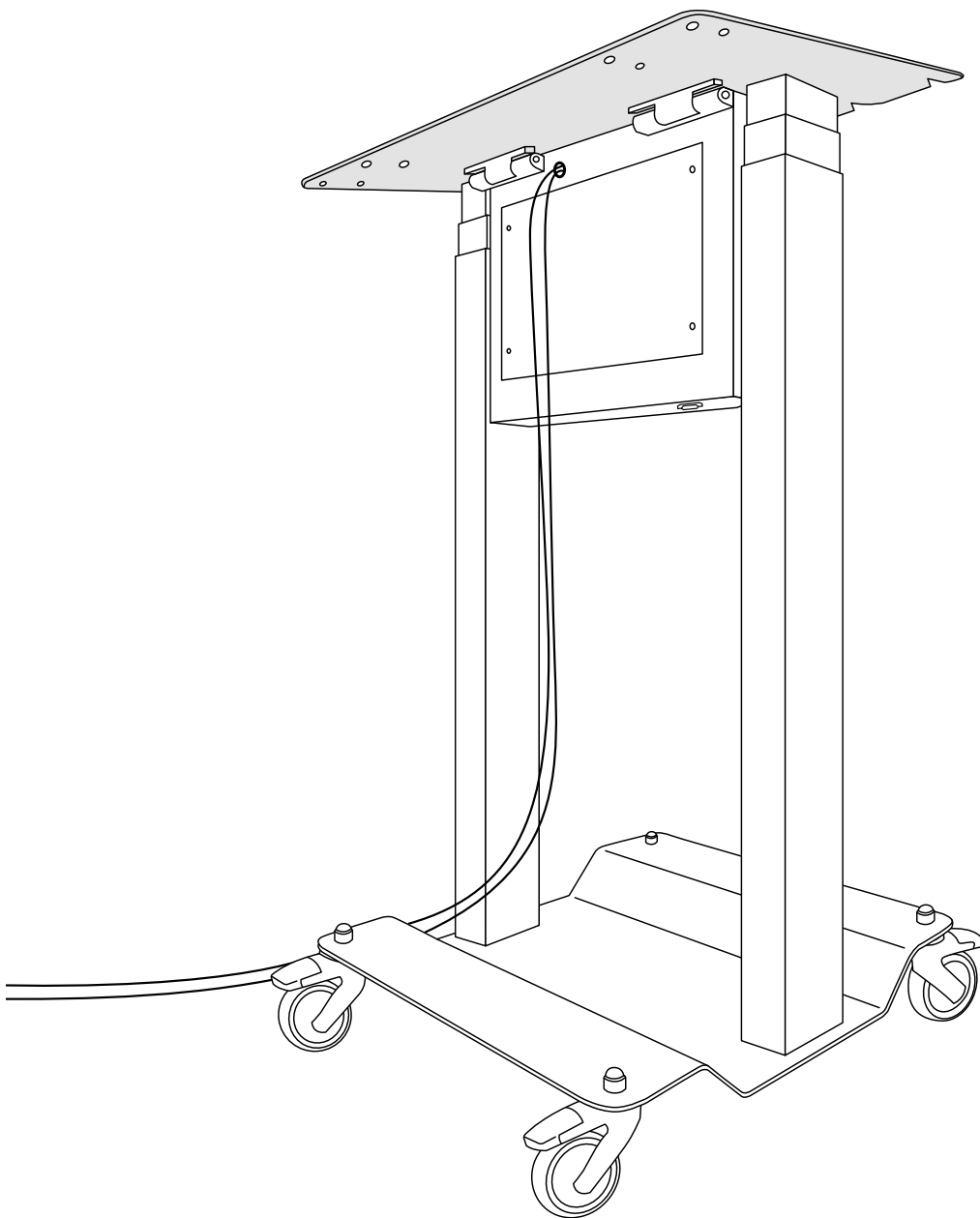


# Prowise

## Assembly Manual **Prowise All-in-One Lift**

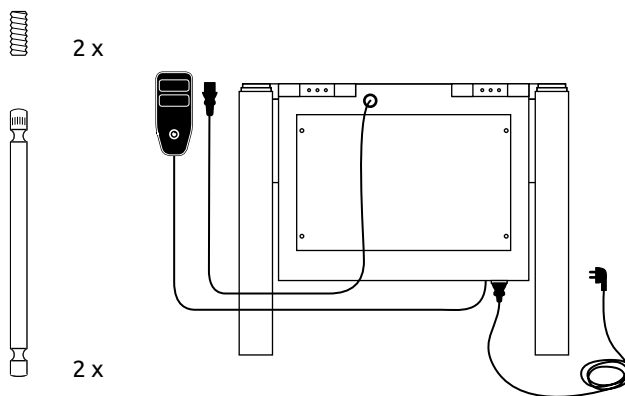


## Included

**Please only use supplied parts**

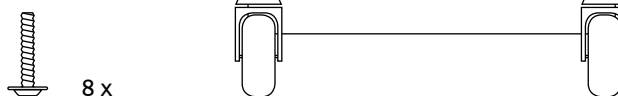
### A • Basebox with 2 height adjustable pillars

- 2 x locking screws
- 2 x hinge pins
- 1 x lift control
- 1 x RJ45 plug for screen
- 1 x plug for power cord



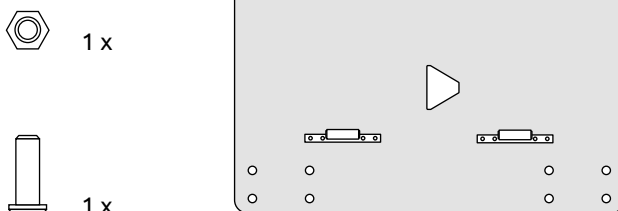
### B • Chassis assembled with 4 wheels

- 8 x M6x20 flange bolts for assembling the 2 adjustable columns



### C • VESA bracket

- 1 x nylon insert lock nut M8
- 1 x flat head screw



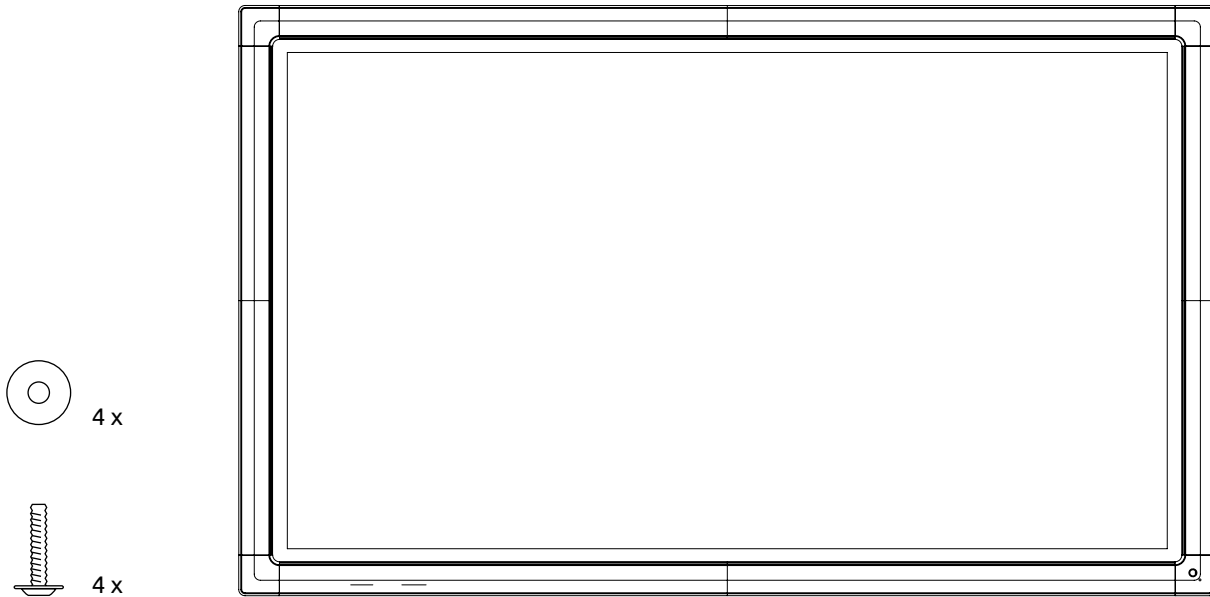
### D • Bracket for lift controller

- 1 x M6x20 flange bolt



Included with touchscreen

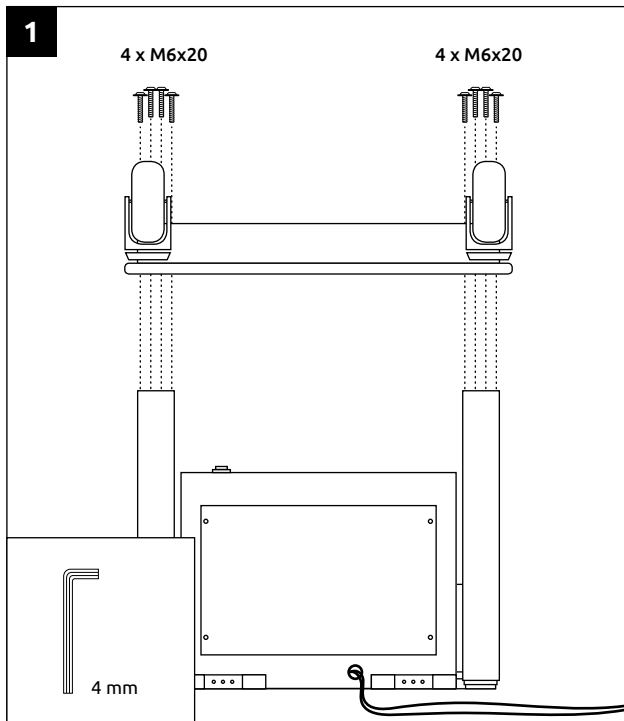
*Please only use supplied parts*



- **55" or 65" Prowise Multi-touchscreen**
- 4 x M8 washer
- 4 x M8x20 flange bolts

## Assembly instructions

**1**

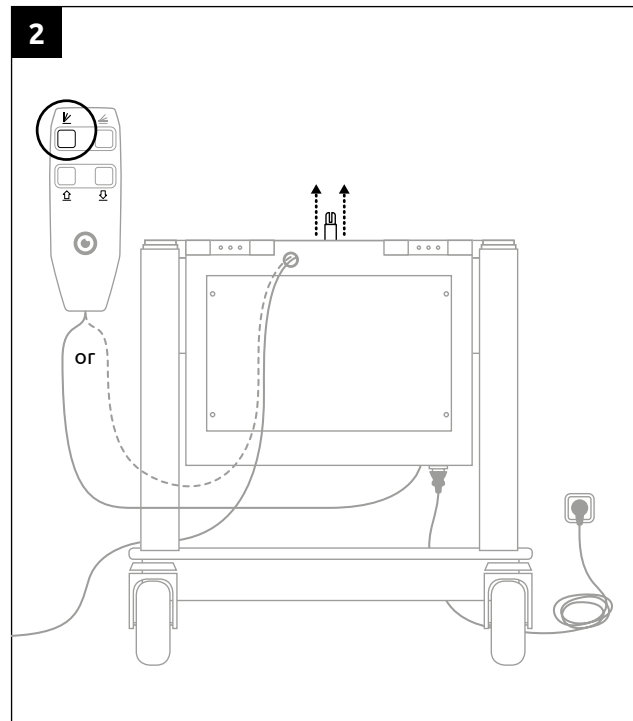


4 x M6x20      4 x M6x20

4 mm

Put the chassis and basebox upside down. Assemble the adjustable pillars to the chassis (4 M6x20 flange bolts per column).

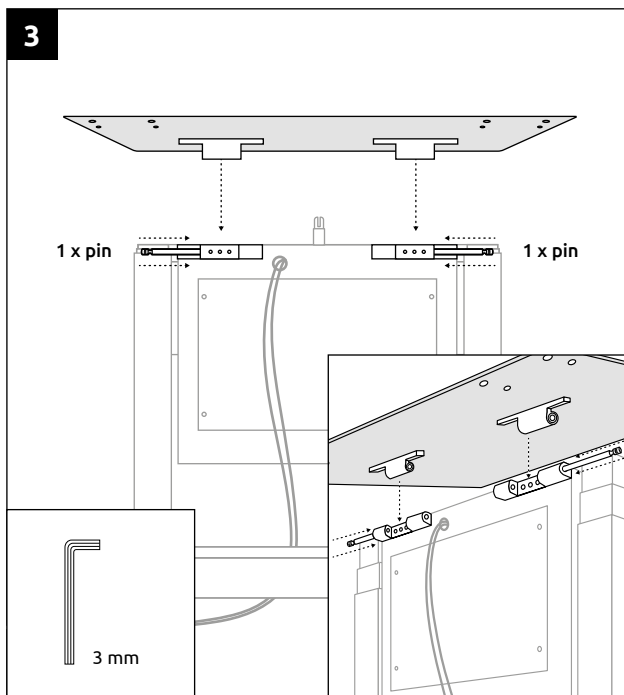
**2**



or

Put the basebox upright and connect it to the net with the power cord. Place the actuator in the highest position by using the lift control.

**3**

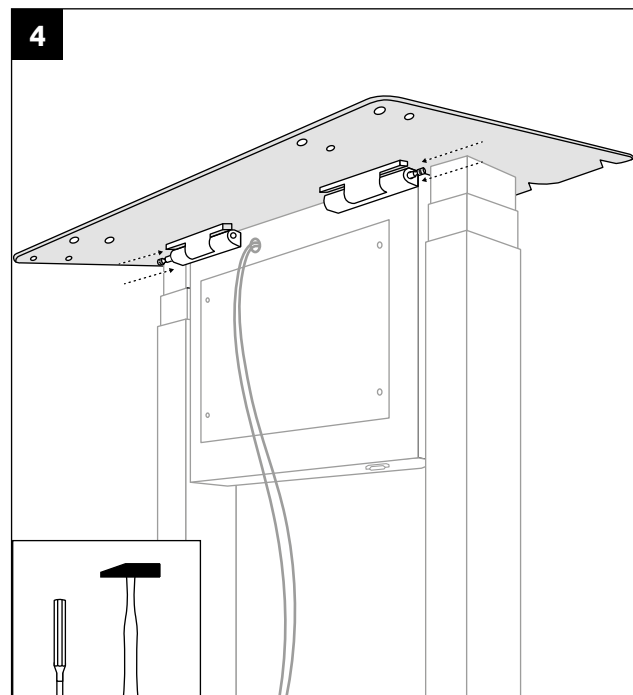


1 x pin      1 x pin

3 mm

Push the hinge pins, from the outsides, partially in the hinges. Please note: the serrated edge of the pins must be on the outside. Subsequently, place the VESA bracket into the hinges.

**4**



Push the hinge pins carefully through, then completely hammer them by using a pin punch.

**5**

1 x locking screw

3 mm

Secure the hinge with a locking screw. Make use of an Allen wrench (3 mm). Repeat this for the other hinge.

**6**

1 x nylon insert lock nut (M8)

1 x flat head screw

10 mm

M13

Secure the actuator with a flat head screw and the nut (M8). Make use of a screwdriver (10 mm) and a ring spanner (M13).

**7**

With a 55" touchscreen: please operate the following intermediate steps. After step 2, unscrew the upper bolts one at a time. Apply the rings and screw the bolts back in their position. Repeat this action for the bottom side.

1

2 x M8x20 bolt

2

3

2 x M8x20 bolt

4

a

b

**1** Screw 2 bolts partially into the upper holes of the screen, leave about 5 mm between the head and screen.

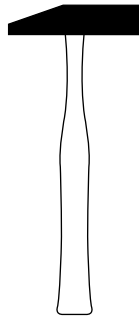
**2** Place the screen in the predrilled holes of the VESA bracket. Completely screw the bolts with an Allen wrench.

**3** Secure the two remaining bolts at the bottom side, using an Allen wrench.

**4** Mount the bracket (D page 3) with a M6x20 flange bolt (a) or double sided tape (b)

## Required tools

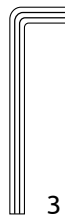
- Hammer
- Screwdriver 10 mm
- Pin punch 8 mm
- Allen wrench 3 + 4 + 6 mm
- Ring spanner M13



10 mm



8 mm



3 + 4 + 6



M13

# Prowise

Prowise B.V.  
Luchthavenweg 1b  
6021 PX Budel  
The Netherlands  
Tel. +31 495 49 71 10  
info@prowise.com

[www.prowise.com](http://www.prowise.com)