

EN

DE

NL



Quick Start Guide

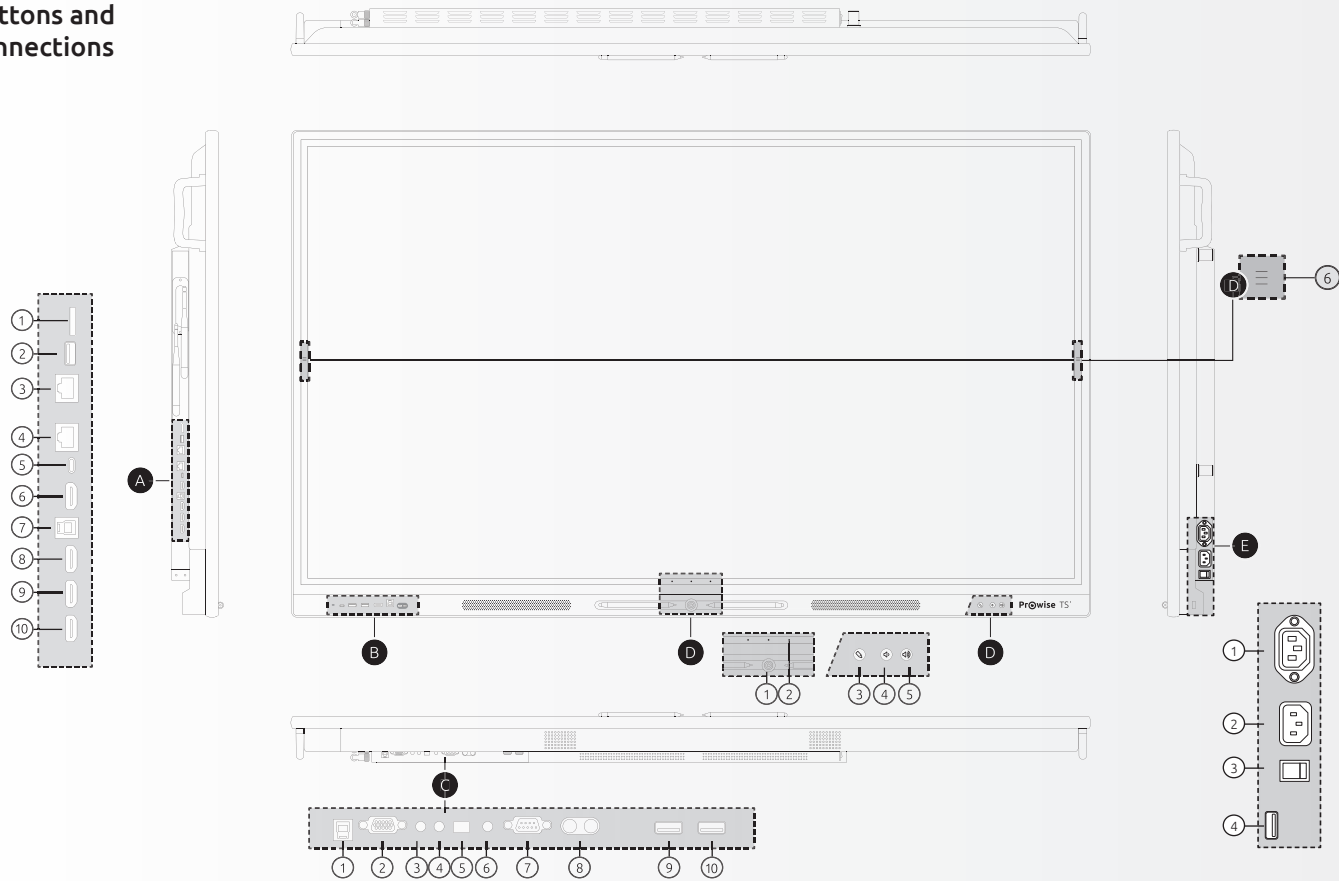
Prowise Touchscreen One G2

PW.1.16065.0002 / PW.1.16075.0002 / PW.1.16086.0002

Prowise



Buttons and connections



A Ports left side

- ① SD card reader
- ② USB 3.2 Gen1 Type A
- ③ LAN-IN port (RJ45)
- ④ LAN-OUT port (RJ45)
- ⑤ USB Type C
(Video + Audio + 65W + Touch + LAN)

- ⑥ HDMI Output 2.1
- ⑦ USB 3.2 Gen1 Type B (Touch port)
- ⑧ HDMI 2.1 Type A (HDCP2.3, ARC & CEC)
- ⑨ HDMI 2.1 Type A (HDCP2.2 CEC)
- ⑩ HDMI 2.1 Type A (HDCP2.2 CEC)

B Ports front

- ① USB Type C (Video + Audio + 15W + Touch + LAN)
- ② USB 3.2 Gen1 Type A
- ③ USB 3.2 Gen1 Type A
- ④ HDMI 2.1 Type A (HDCP2.2 CEC)
- ⑤ USB 3.2 Gen1 Type-B (Touch-port)
- ⑥ Light sensor

C Ports bottom

- ① USB 3.2 Gen1 Type-B (Touch-port)
- ② VGA input (1920x1080p @60Hz)
- ③ PC Audio input

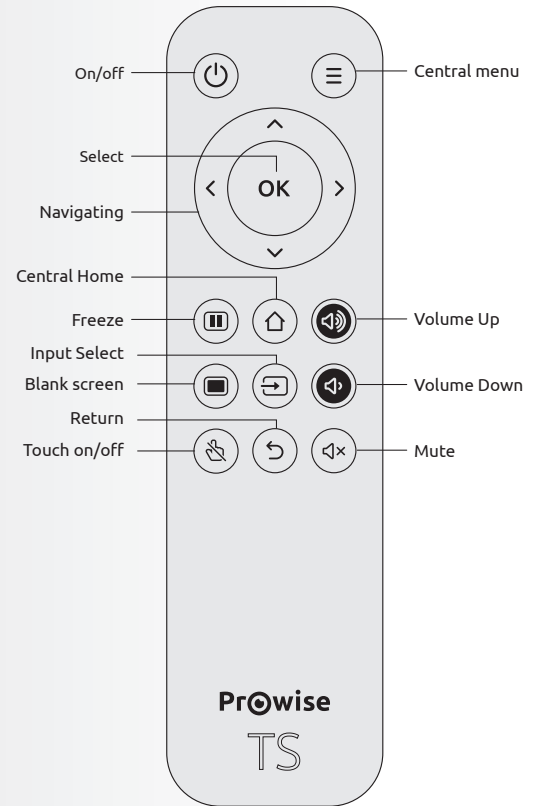
- ④ AV video input (567i)
- ⑤ S/PDIF Optical Digital Audio port
- ⑥ Audio port - Headphones
- ⑦ RS232 Serial Port
- ⑧ Analog Audio port RCA (L+R)
- ⑨ USB 2.0 Type A
- ⑩ USB 3.2 Gen1 Type A

D Buttons front

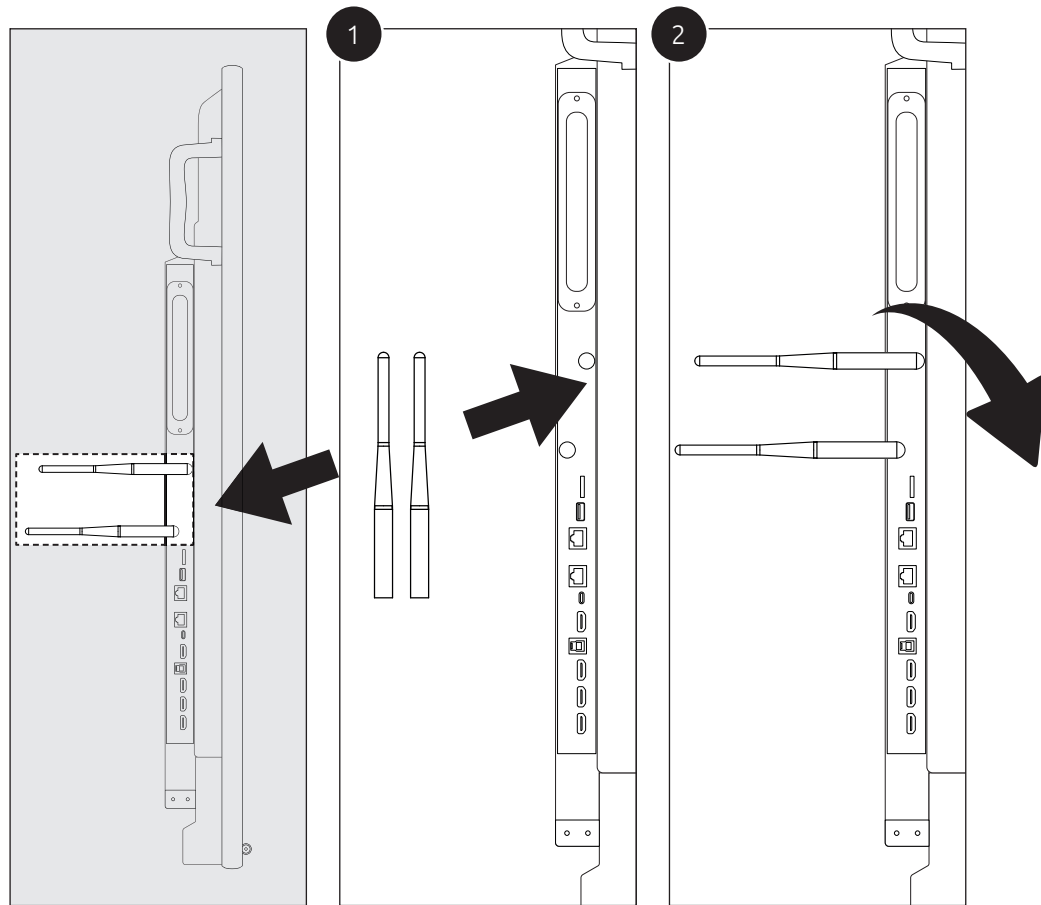
- ① Home button
- ② Adjustable buttons
- ③ Annotate button
- ④ Volume -
- ⑤ Volume +
- ⑥ Quick menu buttons

E AC input and Main switch right

- ① AC-input
- ② AC-output
- ③ Main switch
- ④ USB 3.2 Gen1 Type A

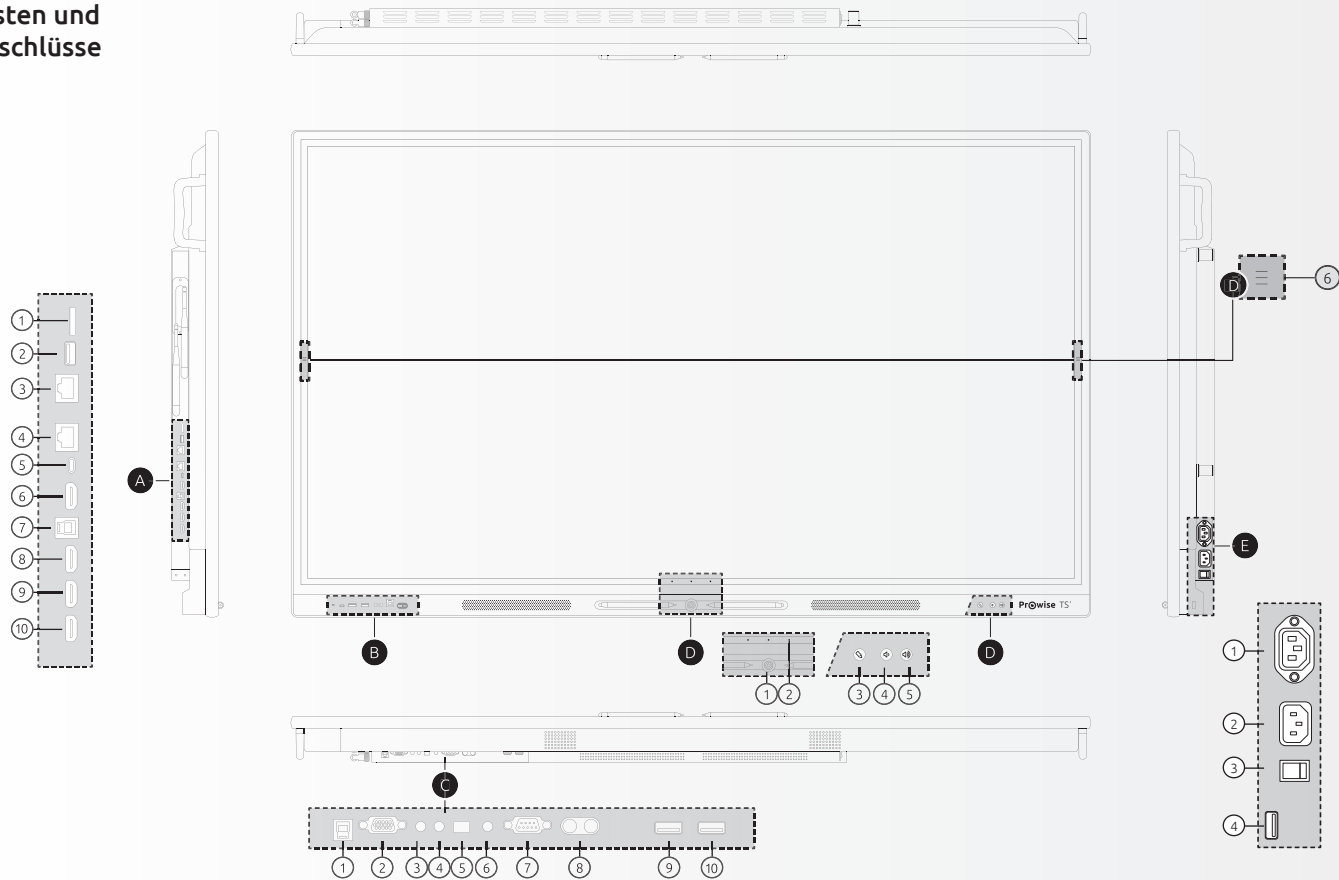
Remote control

Wi-Fi Antennas installation procedure



| | |
|----|----|
| 02 | EN |
| 06 | DE |
| 10 | NL |

Tasten und Anschlüsse



A Ports linke Seite

- ① SD-Kartenleser
- ② USB 3.2 Gen1 Typ-A
- ③ LAN-EIN Port (RJ45)
- ④ LAN-AUS Port (RJ45)
- ⑤ USB Typ-C
(Video + Audio + 65W + Touch + LAN)
- ⑥ HDMI-Ausgang 2.1
- ⑦ USB 3.2 Gen1 Typ-B (Touch Port)
- ⑧ HDMI 2.1 Typ-A (HDCP2.3, ARC & CEC)
- ⑨ HDMI 2.1 Typ-A (HDCP2.2 CEC)
- ⑩ HDMI 2.1 Typ-A (HDCP2.2 CEC)

B Ports an der Vorderseite

- ① USB Typ-C (Video + Audio + 15W + Touch + LAN)
- ② USB 3.2 Gen1 Typ-A
- ③ USB 3.2 Gen1 Typ-A
- ④ HDMI 2.1 Typ-A (HDCP2.2 CEC)
- ⑤ USB 3.2 Gen1 Typ-B (Touch-Port)
- ⑥ Lichtsensor

C Ports an der Unterseite

- ① USB 3.2 Gen1 Type-B (Touch-Port)
- ② VGA Eingang (1920x1080p @60Hz)
- ③ PC Audio Eingang

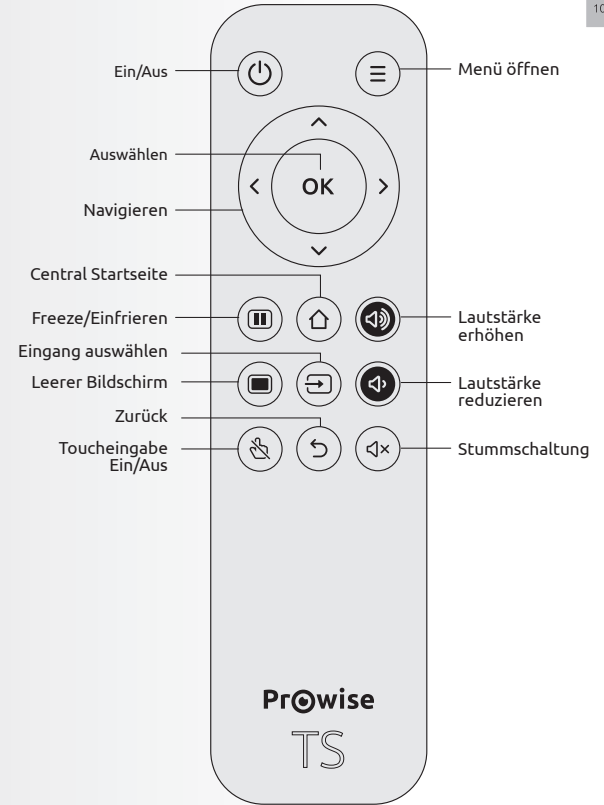
- ④ AV Video Eingang (567i)
- ⑤ S/PDIF Optisch-Digitaler Audio-Ausgang
- ⑥ Audio Ausgang - Kopfhörer
- ⑦ Serielle RS232-Schnittstelle
- ⑧ Analoger Audio-Ausgang RCA (L+R)
- ⑨ USB 2.0 Typ-A
- ⑩ USB 3.2 Gen1 Typ-A

D Schaltflächen Vorderseite

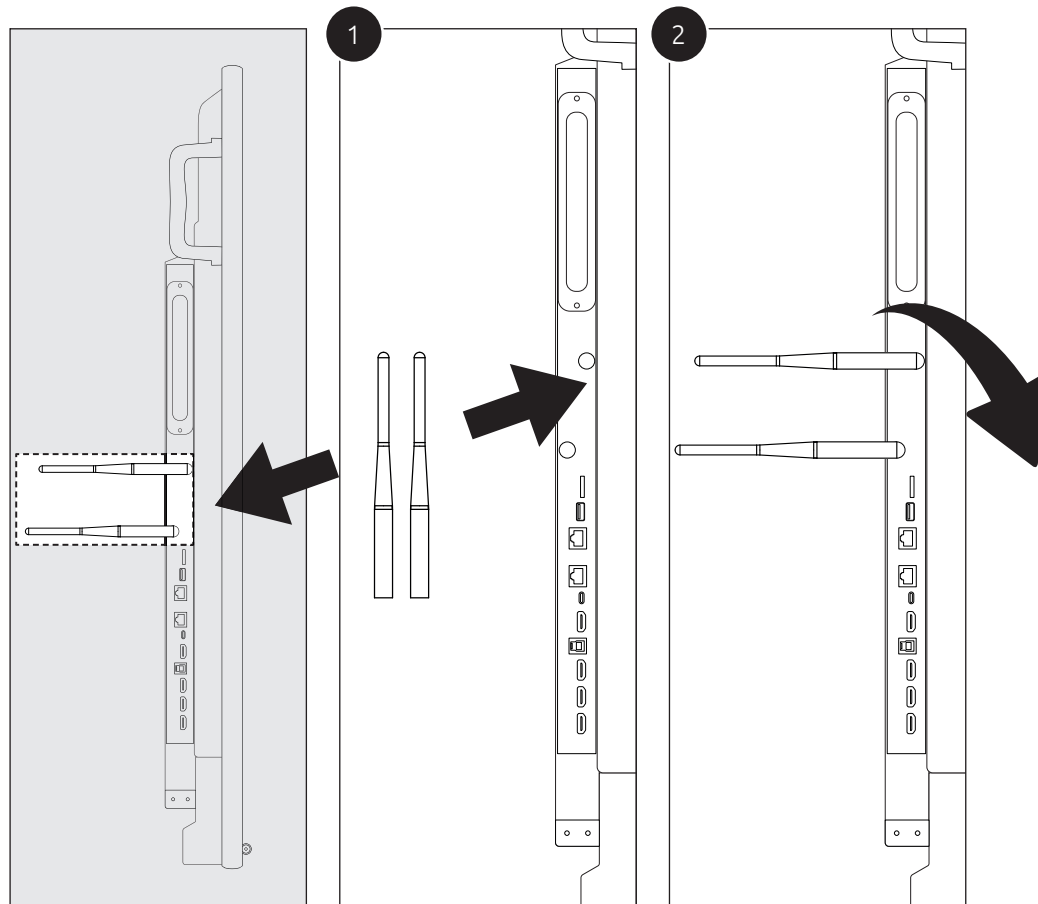
- ① Home-Taste
- ② Einstellbare Schaltflächen
- ③ Anmerkungsschaltfläche
- ④ Lautstärke -
- ⑤ Lautstärke +
- ⑥ Schnellmenütasten

E AC Eingang und Hauptschalter rechts

- ① AC- Eingang
- ② AC- Ausgang
- ③ Hauptschalter
- ④ USB 3.2 Gen1 Typ-A

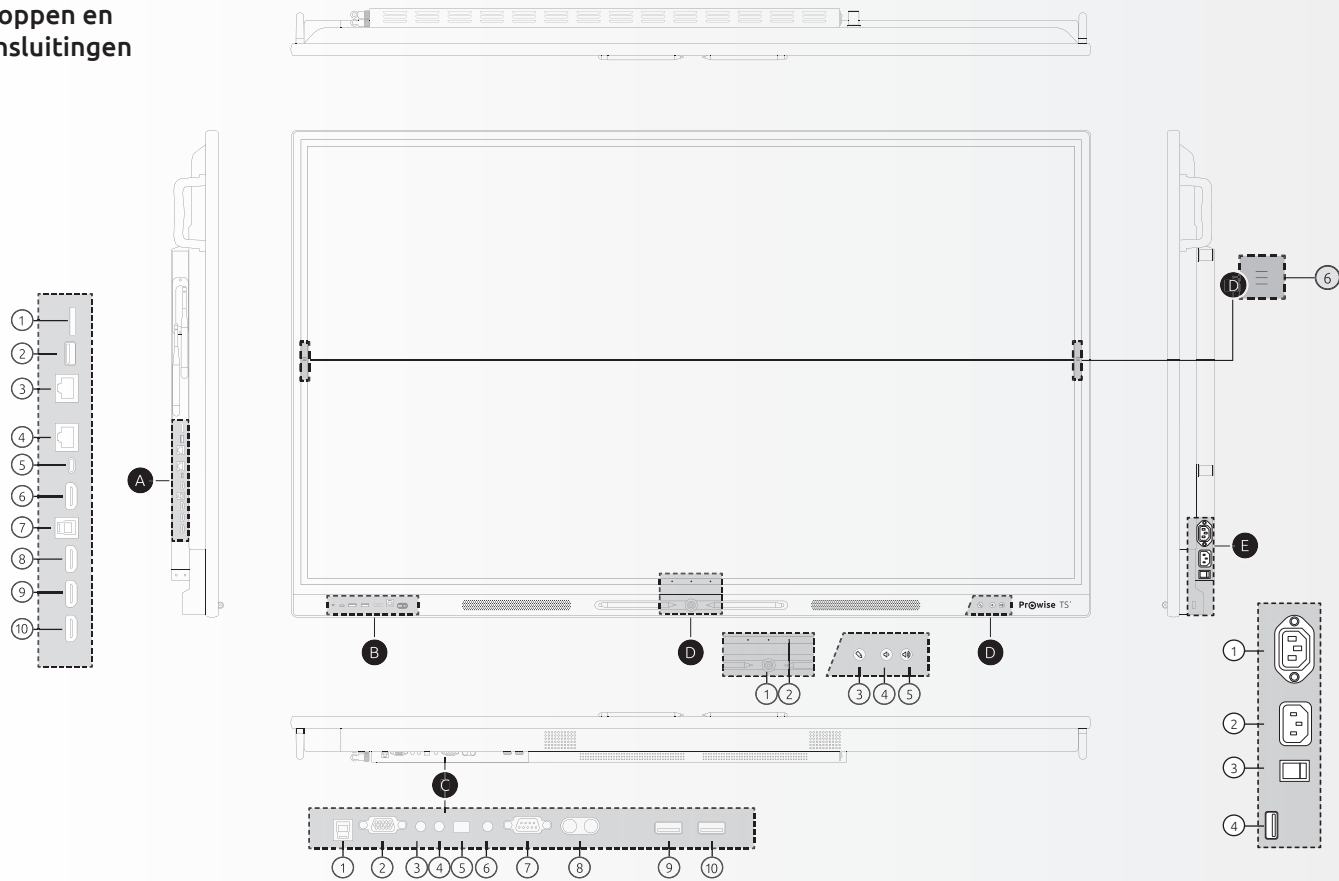
Fernbedienung

WLAN-Antennen Installationsverfahren



| | |
|----|----|
| 02 | EN |
| 06 | DE |
| 10 | NL |

Knoppen en aansluitingen



A Poorten linkerzijde

- ① SD-kaartlezer
- ② USB 3.2 Gen1 Type A
- ③ LAN-IN Port (RJ45)
- ④ LAN-OUT Port (RJ45)
- ⑤ USB Type C
(Video + Audio + 65W + Touch + LAN)
- ⑥ HDMI Output 2.1
- ⑦ USB 3.2 Gen1 Type B (Touch Port)
- ⑧ HDMI 2.1 Type A (HDCP2.3, ARC & CEC)
- ⑨ HDMI 2.1 Type A (HDCP2.2 CEC)
- ⑩ HDMI 2.1 Type A (HDCP2.2 CEC)

B Poorten voorzijde

- ① USB Type C (Video + Audio + 15W + Touch + LAN)
- ② USB 3.2 Gen1 Type A
- ③ USB 3.2 Gen1 Type A
- ④ HDMI 2.1 Type A (HDCP2.2 CEC)
- ⑤ USB 3.2 Gen1 Type B (Touch-poort)
- ⑥ Lichtsensor

C Poorten onderzijde

- ① USB 3.2 Gen1 Type-B (Touch-poort)
- ② VGA-invoer (1920x1080p @60Hz)
- ③ PC Audio-ingang

④ AV Video-ingang (567i)

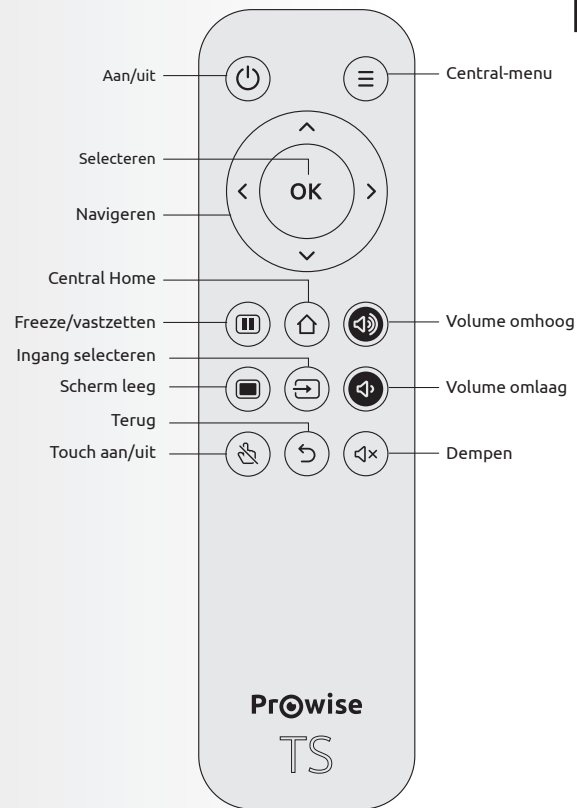
- ⑤ Optische Audio-uitgang; S/PDIF
- ⑥ Audio-uitgang - Hoofdtelefoon
- ⑦ RS232 Seriele Poort
- ⑧ Analoge Audio-uitgang RCA (L+R)
- ⑨ USB 2.0 Type A
- ⑩ USB 3.2 Gen1 Type A

D Knoppen voorzijde

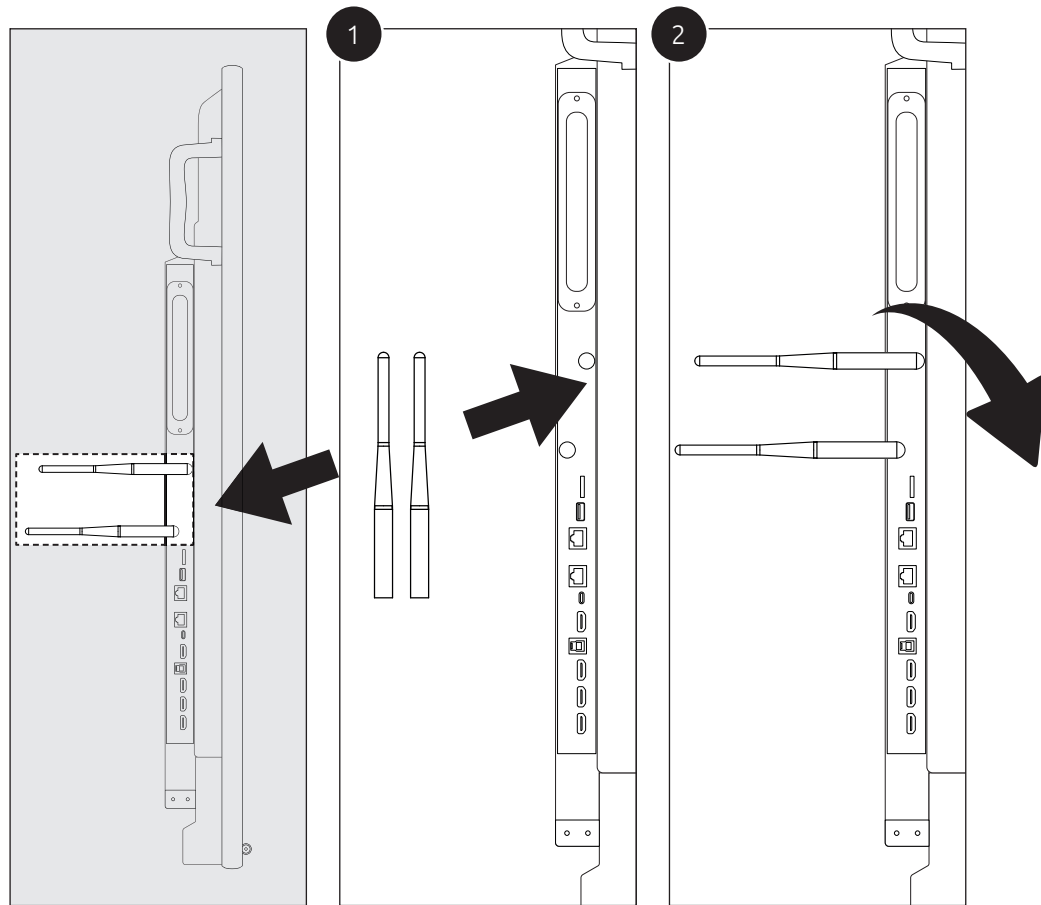
- ① Home knop
- ② Instelbare knoppen
- ③ Annoteer knop
- ④ Volume -
- ⑤ Volume +
- ⑥ Quick Menu knoppen

E AC-ingang en Hoofdschakelaar rechts

- ① AC ingang
- ② AC uitgang
- ③ Hoofdschakelaar
- ④ USB 3.2 Gen1 Type A

Afstandsbediening

Wi-Fi Antennes installatieprocedure



| | |
|----|----|
| 02 | EN |
| 06 | DE |
| 10 | NL |





Let education speak



Prowise

www.prowise.com